



ALO 3

MAIN CHARACTERISTICS

Applications	Wide area lighting and sports facilities.
Optic	SP15 / SP25 / SP40 / SP55: Symmetrical optic for projection. AM10 / AN10 / AW10 / ASM / ASN / ASW / A25: Asymmetrical optic for projection. BAC: Bidirectional asymmetric optic for projection, central emission. BAR/BAL: Bidirectional asymmetric optic for projection, right/left emission. Colour temperature: 5700K, CRI ≥ 70 (CRI 80, CRI 90 optional) 4000K, 3000K, CRI ≥ 70 optional LED source efficiency: 165 lm/W @ 350mA, Tj=85°C, 5700K
Insulation class	I
Protection degree	IP66 IK08 total
Dimensions	See the drawing
Weight	max 28 kg (excluded gear tray)
Exposed surface	Side: 0.083 m ² – Top: 0.34 m ² (excluded gear tray) SCx: 0.24 m ²
Mounting	Installation with C bracket or MICROMOOVER.
Tilt Angle	C bracket: +20° ÷ +75° on horizontal plane with steps graduated in 5° controlled steps. Micro-adjustment with slots ±2.5° (0.5° step) for intermediate values to the main adjustment. MICROMOOVER: +20° ÷ +75° on horizontal plane. Micro-adjustment 0/+10° for intermediate values to the main setting. Adjustment on vertical axis: ±180°.
Gear tray	Remote. (Power supply size 500x150 H=120mm - Weight: 6.2 kg). Optional: mounting over luminaire body with integrated flanges (only with C bracket version).
Operating temp.	-40°C / +50°C
Storage temperature	-40°C / +80°C
Main reference standards	EN 60598-1, EN 60598-2-3, EN 60598-2-5, IEC 62471, EN 55015, EN 61547, EN 61000-3-2, EN 61000-3-3



ELECTRICAL CHARACTERISTICS

Rated voltage	220÷400V 50/60Hz (Standard tolerance +/-10%, other voltages and tolerances upon request)
Power factor	>0,9 (at full load)
Flicker factor (FF)	< 3%
Mains connection	On terminal block for cables max. section 4mm ²
Surge protection	Up to 10kV
Control system (options)	F: Fixed power not dimmable. FLC: Constant light flux. DALI: Digital dimming interface DALI. DMX: Digital dimming interface through DMX control.
Optical unit lifetime (Tq=25°C, 800mA)	>50.000hr L80B10

MATERIALS

Fixing	Die-cast aluminum UNI EN1706 powder painted.
Body - Heat-sink	Single piece of die-cast aluminium UNI EN1706 powder painted.
Screen frame	Galvanised and painted steel with stainless steel springs.
Optic	Polycarbonate.
Screen	Flat tempered glass, 5mm thickness high transparency.
Cable gland	Metallic M25 x 1.5 - IP68
Gasket	Silicone
Colour	Matt satin grey RAL 7004 - Cod. 7J

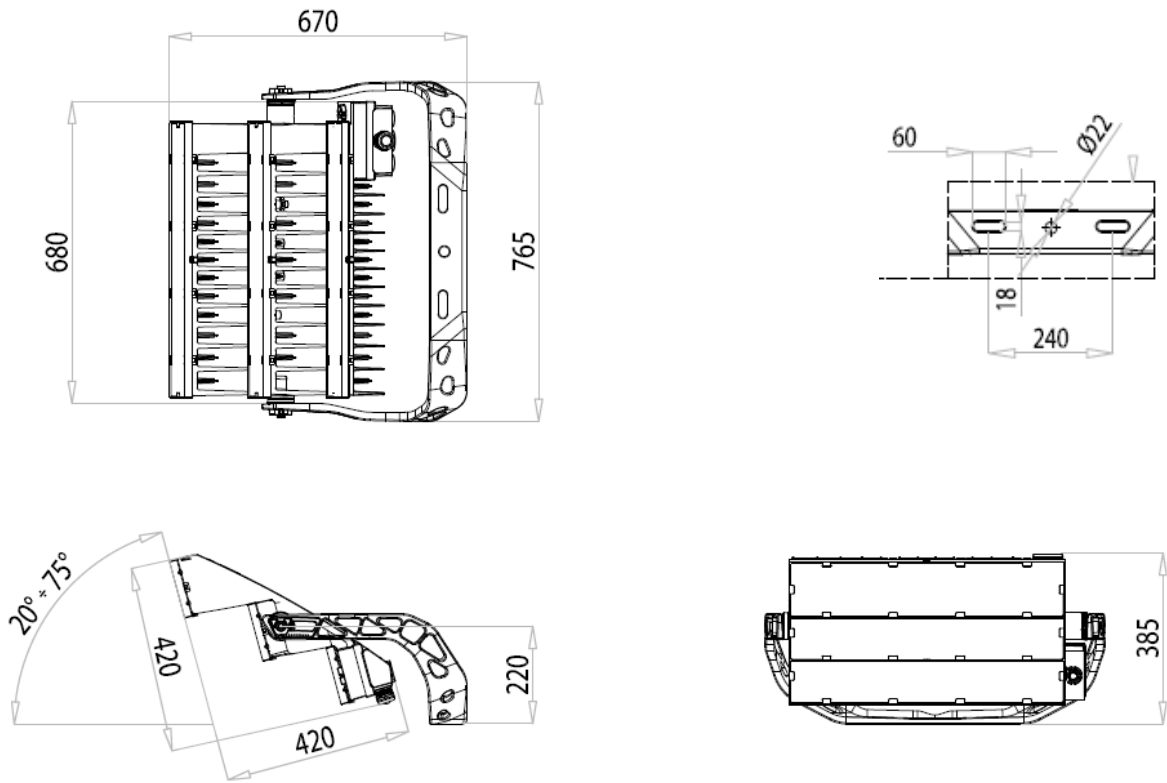
OPTIONAL

ES	External Shield – upward emission shield.
Red Dot Sight	Pointer for spot adjustments.
Power supply support	Support for integrated power supply mounting on floodlight (only with C bracket version).

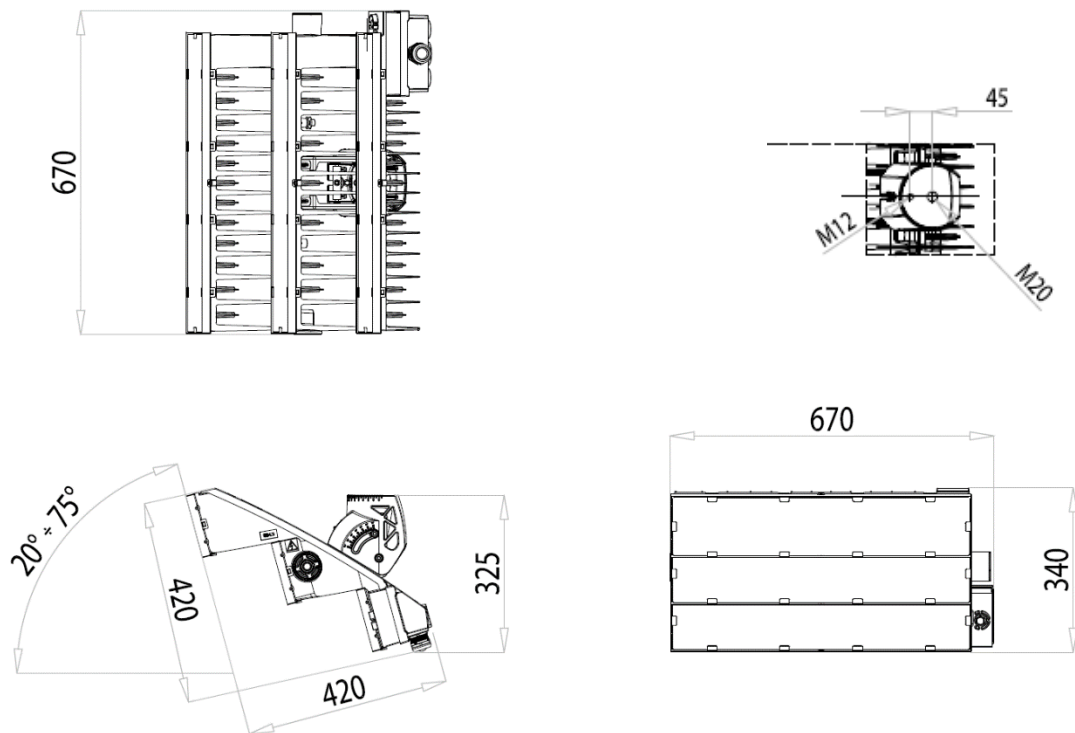


DIMENSIONAL DRAWINGS

ALO with C bracket



ALO with MICROMØVER



ALO 3 2AB10 SPORT LIGHTING – 7057 OT25

LUMINAIRE	OPTIC	LED CURRENT (mA)	RATED LUMINAIRE FLUX* (Tq=25°C, 5700K, lm)	RATED LUMINAIRE POWER* (Tq=25°C, Vin=230Vac, F, W)	LUMINAIRE EFFICACY (Tq=25°C, lm/W)	RATED LED FLUX* (Tj=85°C, 5700K, lm)	RATED LED POWER* (Tj=85°C, W)
ALO 3 2AB10 A25 7057.350-66M OT25	A25	350	96450	660	146.1	113100	635
ALO 3 2AB10 A25 7057.400-66M OT25	A25	400	108300	760	142.5	128100	730
ALO 3 2AB10 A25 7057.450-66M OT25	A25	450	119750	860	139.2	142700	830
ALO 3 2AB10 A25 7057.500-66M OT25	A25	500	130750	970	134.7	157100	930
ALO 3 2AB10 A25 7057.550-66M OT25	A25	550	141400	1080	130.9	171200	1035
ALO 3 2AB10 A25 7057.600-66M OT25	A25	600	151600	1180	128.4	185100	1135
ALO 3 2AB10 A25 7057.650-66M OT25	A25	650	161400	1290	125.1	198700	1240
ALO 3 2AB10 A25 7057.700-66M OT25	A25	700	170800	1390	122.8	212100	1345
ALO 3 2AB10 A25 7057.750-66M OT25	A25	750	179900	1500	119.9	225200	1450
ALO 3 2AB10 A25 7057.800-66M OT25	A25	800	188550	1590	118.5	238200	1555
ALO 3 2AB10 A25 7057.825-66M OT25	A25	825	192800	1640	117.5	244600	1610
ALO 3 2AB10 A25 7057.350-66M ES OT25	A25	350	95490	660	144.6	113100	635
ALO 3 2AB10 A25 7057.400-66M ES OT25	A25	400	107220	760	141	128100	730
ALO 3 2AB10 A25 7057.450-66M ES OT25	A25	450	118550	860	137.8	142700	830
ALO 3 2AB10 A25 7057.500-66M ES OT25	A25	500	129440	970	133.4	157100	930
ALO 3 2AB10 A25 7057.550-66M ES OT25	A25	550	139990	1080	129.6	171200	1035
ALO 3 2AB10 A25 7057.600-66M ES OT25	A25	600	150080	1180	127.1	185100	1135
ALO 3 2AB10 A25 7057.650-66M ES OT25	A25	650	159790	1290	123.8	198700	1240
ALO 3 2AB10 A25 7057.700-66M ES OT25	A25	700	169090	1390	121.6	212100	1345
ALO 3 2AB10 A25 7057.750-66M ES OT25	A25	750	178100	1500	118.7	225200	1450
ALO 3 2AB10 A25 7057.800-66M ES OT25	A25	800	186660	1590	117.3	238200	1555
ALO 3 2AB10 A25 7057.825-66M ES OT25	A25	825	190870	1640	116.3	244600	1610
ALO 3 2AB10 AM10 7057.350-66M OT25	AM10	350	90850	660	137.6	113100	635
ALO 3 2AB10 AM10 7057.400-66M OT25	AM10	400	102150	760	134.4	128100	730

LUMINAIRE	OPTIC	LED CURRENT (mA)	RATED LUMINAIRE FLUX* (Tq=25°C, 5700K, lm)	RATED LUMINAIRE POWER* (Tq=25°C, Vin=230Vac, F, W)	LUMINAIRE EFFICACY (Tq=25°C, lm/W)	RATED LED FLUX* (Tj=85°C, 5700K, lm)	RATED LED POWER* (Tj=85°C, W)
ALO 3 2AB10 AM10 7057.450-66M OT25	AM10	450	113100	860	131.5	142700	830
ALO 3 2AB10 AM10 7057.500-66M OT25	AM10	500	123550	970	127.3	157100	930
ALO 3 2AB10 AM10 7057.550-66M OT25	AM10	550	133550	1080	123.6	171200	1035
ALO 3 2AB10 AM10 7057.600-66M OT25	AM10	600	142950	1180	121.1	185100	1135
ALO 3 2AB10 AM10 7057.650-66M OT25	AM10	650	151800	1290	117.6	198700	1240
ALO 3 2AB10 AM10 7057.700-66M OT25	AM10	700	160000	1390	115.1	212100	1345
ALO 3 2AB10 AM10 7057.750-66M OT25	AM10	750	167550	1500	111.7	225200	1450
ALO 3 2AB10 AM10 7057.800-66M OT25	AM10	800	174350	1590	109.6	238200	1555
ALO 3 2AB10 AM10 7057.825-66M OT25	AM10	825	177450	1640	108.2	244600	1610
ALO 3 2AB10 AM10 7057.350-66M ES OT25	AM10	350	87220	660	132.1	113100	635
ALO 3 2AB10 AM10 7057.400-66M ES OT25	AM10	400	98060	760	129	128100	730
ALO 3 2AB10 AM10 7057.450-66M ES OT25	AM10	450	108580	860	126.2	142700	830
ALO 3 2AB10 AM10 7057.500-66M ES OT25	AM10	500	118610	970	122.2	157100	930
ALO 3 2AB10 AM10 7057.550-66M ES OT25	AM10	550	128210	1080	118.7	171200	1035
ALO 3 2AB10 AM10 7057.600-66M ES OT25	AM10	600	137230	1180	116.2	185100	1135
ALO 3 2AB10 AM10 7057.650-66M ES OT25	AM10	650	145730	1290	112.9	198700	1240
ALO 3 2AB10 AM10 7057.700-66M ES OT25	AM10	700	153600	1390	110.5	212100	1345
ALO 3 2AB10 AM10 7057.750-66M ES OT25	AM10	750	160850	1500	107.2	225200	1450
ALO 3 2AB10 AM10 7057.800-66M ES OT25	AM10	800	167380	1590	105.2	238200	1555
ALO 3 2AB10 AM10 7057.825-66M ES OT25	AM10	825	170350	1640	103.8	244600	1610
ALO 3 2AB10 AN10 7057.350-66M OT25	AN10	350	91200	660	138.1	113100	635
ALO 3 2AB10 AN10 7057.400-66M OT25	AN10	400	102450	760	134.8	128100	730
ALO 3 2AB10 AN10 7057.450-66M OT25	AN10	450	113250	860	131.6	142700	830
ALO 3 2AB10 AN10 7057.500-66M OT25	AN10	500	123700	970	127.5	157100	930
ALO 3 2AB10 AN10 7057.550-66M OT25	AN10	550	133700	1080	123.7	171200	1035

LUMINAIRE	OPTIC	LED CURRENT (mA)	RATED LUMINAIRE FLUX* (Tq=25°C, 5700K, lm)	RATED LUMINAIRE POWER* (Tq=25°C, Vin=230Vac, F, W)	LUMINAIRE EFFICACY (Tq=25°C, lm/W)	RATED LED FLUX* (Tj=85°C, 5700K, lm)	RATED LED POWER* (Tj=85°C, W)
ALO 3 2AB10 AN10 7057.600-66M OT25	AN10	600	143350	1180	121.4	185100	1135
ALO 3 2AB10 AN10 7057.650-66M OT25	AN10	650	152650	1290	118.3	198700	1240
ALO 3 2AB10 AN10 7057.700-66M OT25	AN10	700	161550	1390	116.2	212100	1345
ALO 3 2AB10 AN10 7057.750-66M OT25	AN10	750	170150	1500	113.4	225200	1450
ALO 3 2AB10 AN10 7057.800-66M OT25	AN10	800	178350	1590	112.1	238200	1555
ALO 3 2AB10 AN10 7057.825-66M OT25	AN10	825	182350	1640	111.1	244600	1610
ALO 3 2AB10 AN10 7057.350-66M ES OT25	AN10	350	89380	660	135.4	113100	635
ALO 3 2AB10 AN10 7057.400-66M ES OT25	AN10	400	100400	760	132.1	128100	730
ALO 3 2AB10 AN10 7057.450-66M ES OT25	AN10	450	110990	860	129	142700	830
ALO 3 2AB10 AN10 7057.500-66M ES OT25	AN10	500	121230	970	124.9	157100	930
ALO 3 2AB10 AN10 7057.550-66M ES OT25	AN10	550	131030	1080	121.3	171200	1035
ALO 3 2AB10 AN10 7057.600-66M ES OT25	AN10	600	140480	1180	119	185100	1135
ALO 3 2AB10 AN10 7057.650-66M ES OT25	AN10	650	149600	1290	115.9	198700	1240
ALO 3 2AB10 AN10 7057.700-66M ES OT25	AN10	700	158320	1390	113.8	212100	1345
ALO 3 2AB10 AN10 7057.750-66M ES OT25	AN10	750	166750	1500	111.1	225200	1450
ALO 3 2AB10 AN10 7057.800-66M ES OT25	AN10	800	174780	1590	109.9	238200	1555
ALO 3 2AB10 AN10 7057.825-66M ES OT25	AN10	825	178700	1640	108.9	244600	1610
ALO 3 2AB10 ASM 7057.350-66M OT25	ASM	350	96000	660	145.4	113100	635
ALO 3 2AB10 ASM 7057.400-66M OT25	ASM	400	107800	760	141.8	128100	730
ALO 3 2AB10 ASM 7057.450-66M OT25	ASM	450	119200	860	138.6	142700	830
ALO 3 2AB10 ASM 7057.500-66M OT25	ASM	500	130150	970	134.1	157100	930
ALO 3 2AB10 ASM 7057.550-66M OT25	ASM	550	140750	1080	130.3	171200	1035
ALO 3 2AB10 ASM 7057.600-66M OT25	ASM	600	150900	1180	127.8	185100	1135
ALO 3 2AB10 ASM 7057.650-66M OT25	ASM	650	160650	1290	124.5	198700	1240
ALO 3 2AB10 ASM 7057.700-66M OT25	ASM	700	170050	1390	122.3	212100	1345

LUMINAIRE	OPTIC	LED CURRENT (mA)	RATED LUMINAIRE FLUX* (Tq=25°C, 5700K, lm)	RATED LUMINAIRE POWER* (Tq=25°C, Vin=230Vac, F, W)	LUMINAIRE EFFICACY (Tq=25°C, lm/W)	RATED LED FLUX* (Tj=85°C, 5700K, lm)	RATED LED POWER* (Tj=85°C, W)
ALO 3 2AB10 ASM 7057.750-66M OT25	ASM	750	179050	1500	119.3	225200	1450
ALO 3 2AB10 ASM 7057.800-66M OT25	ASM	800	187700	1590	118	238200	1555
ALO 3 2AB10 ASM 7057.825-66M OT25	ASM	825	191900	1640	117	244600	1610
ALO 3 2AB10 ASM 7057.350-66M ES OT25	ASM	350	94080	660	142.5	113100	635
ALO 3 2AB10 ASM 7057.400-66M ES OT25	ASM	400	105640	760	139	128100	730
ALO 3 2AB10 ASM 7057.450-66M ES OT25	ASM	450	116820	860	135.8	142700	830
ALO 3 2AB10 ASM 7057.500-66M ES OT25	ASM	500	127550	970	131.4	157100	930
ALO 3 2AB10 ASM 7057.550-66M ES OT25	ASM	550	137940	1080	127.7	171200	1035
ALO 3 2AB10 ASM 7057.600-66M ES OT25	ASM	600	147880	1180	125.3	185100	1135
ALO 3 2AB10 ASM 7057.650-66M ES OT25	ASM	650	157440	1290	122	198700	1240
ALO 3 2AB10 ASM 7057.700-66M ES OT25	ASM	700	166650	1390	119.8	212100	1345
ALO 3 2AB10 ASM 7057.750-66M ES OT25	ASM	750	175470	1500	116.9	225200	1450
ALO 3 2AB10 ASM 7057.800-66M ES OT25	ASM	800	183950	1590	115.6	238200	1555
ALO 3 2AB10 ASM 7057.825-66M ES OT25	ASM	825	188060	1640	114.6	244600	1610
ALO 3 2AB10 ASN 7057.350-66M OT25	ASN	350	97000	660	146.9	113100	635
ALO 3 2AB10 ASN 7057.400-66M OT25	ASN	400	108950	760	143.3	128100	730
ALO 3 2AB10 ASN 7057.450-66M OT25	ASN	450	120450	860	140	142700	830
ALO 3 2AB10 ASN 7057.500-66M OT25	ASN	500	131500	970	135.5	157100	930
ALO 3 2AB10 ASN 7057.550-66M OT25	ASN	550	142200	1080	131.6	171200	1035
ALO 3 2AB10 ASN 7057.600-66M OT25	ASN	600	152450	1180	129.1	185100	1135
ALO 3 2AB10 ASN 7057.650-66M OT25	ASN	650	162300	1290	125.8	198700	1240
ALO 3 2AB10 ASN 7057.700-66M OT25	ASN	700	171800	1390	123.5	212100	1345
ALO 3 2AB10 ASN 7057.750-66M OT25	ASN	750	180900	1500	120.6	225200	1450
ALO 3 2AB10 ASN 7057.800-66M OT25	ASN	800	189650	1590	119.2	238200	1555
ALO 3 2AB10 ASN 7057.825-66M OT25	ASN	825	193900	1640	118.2	244600	1610

LUMINAIRE	OPTIC	LED CURRENT (mA)	RATED LUMINAIRE FLUX* (Tq=25°C, 5700K, lm)	RATED LUMINAIRE POWER* (Tq=25°C, Vin=230Vac, F, W)	LUMINAIRE EFFICACY (Tq=25°C, lm/W)	RATED LED FLUX* (Tj=85°C, 5700K, lm)	RATED LED POWER* (Tj=85°C, W)
ALO 3 2AB10 ASN 7057.350-66M ES OT25	ASN	350	96030	660	145.5	113100	635
ALO 3 2AB10 ASN 7057.400-66M ES OT25	ASN	400	107860	760	141.9	128100	730
ALO 3 2AB10 ASN 7057.450-66M ES OT25	ASN	450	119250	860	138.6	142700	830
ALO 3 2AB10 ASN 7057.500-66M ES OT25	ASN	500	130190	970	134.2	157100	930
ALO 3 2AB10 ASN 7057.550-66M ES OT25	ASN	550	140780	1080	130.3	171200	1035
ALO 3 2AB10 ASN 7057.600-66M ES OT25	ASN	600	150930	1180	127.9	185100	1135
ALO 3 2AB10 ASN 7057.650-66M ES OT25	ASN	650	160680	1290	124.5	198700	1240
ALO 3 2AB10 ASN 7057.700-66M ES OT25	ASN	700	170080	1390	122.3	212100	1345
ALO 3 2AB10 ASN 7057.750-66M ES OT25	ASN	750	179090	1500	119.3	225200	1450
ALO 3 2AB10 ASN 7057.800-66M ES OT25	ASN	800	187750	1590	118	238200	1555
ALO 3 2AB10 ASN 7057.825-66M ES OT25	ASN	825	191960	1640	117	244600	1610
ALO 3 2AB10 ASW 7057.350-66M OT25	ASW	350	96100	660	145.6	113100	635
ALO 3 2AB10 ASW 7057.400-66M OT25	ASW	400	107950	760	142	128100	730
ALO 3 2AB10 ASW 7057.450-66M OT25	ASW	450	119350	860	138.7	142700	830
ALO 3 2AB10 ASW 7057.500-66M OT25	ASW	500	130300	970	134.3	157100	930
ALO 3 2AB10 ASW 7057.550-66M OT25	ASW	550	140900	1080	130.4	171200	1035
ALO 3 2AB10 ASW 7057.600-66M OT25	ASW	600	151050	1180	128	185100	1135
ALO 3 2AB10 ASW 7057.650-66M OT25	ASW	650	160800	1290	124.6	198700	1240
ALO 3 2AB10 ASW 7057.700-66M OT25	ASW	700	170200	1390	122.4	212100	1345
ALO 3 2AB10 ASW 7057.750-66M OT25	ASW	750	179250	1500	119.5	225200	1450
ALO 3 2AB10 ASW 7057.800-66M OT25	ASW	800	187900	1590	118.1	238200	1555
ALO 3 2AB10 ASW 7057.825-66M OT25	ASW	825	192150	1640	117.1	244600	1610
ALO 3 2AB10 ASW 7057.350-66M ES OT25	ASW	350	94180	660	142.6	113100	635
ALO 3 2AB10 ASW 7057.400-66M ES OT25	ASW	400	105790	760	139.1	128100	730
ALO 3 2AB10 ASW 7057.450-66M ES OT25	ASW	450	116960	860	136	142700	830

LUMINAIRE	OPTIC	LED CURRENT (mA)	RATED LUMINAIRE FLUX* (Tq=25°C, 5700K, lm)	RATED LUMINAIRE POWER* (Tq=25°C, Vin=230Vac, F, W)	LUMINAIRE EFFICACY (Tq=25°C, lm/W)	RATED LED FLUX* (Tj=85°C, 5700K, lm)	RATED LED POWER* (Tj=85°C, W)
ALO 3 2AB10 ASW 7057.500-66M ES OT25	ASW	500	127690	970	131.6	157100	930
ALO 3 2AB10 ASW 7057.550-66M ES OT25	ASW	550	138080	1080	127.8	171200	1035
ALO 3 2AB10 ASW 7057.600-66M ES OT25	ASW	600	148030	1180	125.4	185100	1135
ALO 3 2AB10 ASW 7057.650-66M ES OT25	ASW	650	157580	1290	122.1	198700	1240
ALO 3 2AB10 ASW 7057.700-66M ES OT25	ASW	700	166800	1390	120	212100	1345
ALO 3 2AB10 ASW 7057.750-66M ES OT25	ASW	750	175670	1500	117.1	225200	1450
ALO 3 2AB10 ASW 7057.800-66M ES OT25	ASW	800	184140	1590	115.8	238200	1555
ALO 3 2AB10 ASW 7057.825-66M ES OT25	ASW	825	188310	1640	114.8	244600	1610
ALO 3 2AB10 AW10 7057.350-66M OT25	AW10	350	90150	660	136.5	113100	635
ALO 3 2AB10 AW10 7057.400-66M OT25	AW10	400	101500	760	133.5	128100	730
ALO 3 2AB10 AW10 7057.450-66M OT25	AW10	450	112450	860	130.7	142700	830
ALO 3 2AB10 AW10 7057.500-66M OT25	AW10	500	123050	970	126.8	157100	930
ALO 3 2AB10 AW10 7057.550-66M OT25	AW10	550	133150	1080	123.2	171200	1035
ALO 3 2AB10 AW10 7057.600-66M OT25	AW10	600	142700	1180	120.9	185100	1135
ALO 3 2AB10 AW10 7057.650-66M OT25	AW10	650	151750	1290	117.6	198700	1240
ALO 3 2AB10 AW10 7057.700-66M OT25	AW10	700	160150	1390	115.2	212100	1345
ALO 3 2AB10 AW10 7057.750-66M OT25	AW10	750	167850	1500	111.9	225200	1450
ALO 3 2AB10 AW10 7057.800-66M OT25	AW10	800	174850	1590	109.9	238200	1555
ALO 3 2AB10 AW10 7057.825-66M OT25	AW10	825	178050	1640	108.5	244600	1610
ALO 3 2AB10 AW10 7057.350-66M ES OT25	AW10	350	86540	660	131.1	113100	635
ALO 3 2AB10 AW10 7057.400-66M ES OT25	AW10	400	97440	760	128.2	128100	730
ALO 3 2AB10 AW10 7057.450-66M ES OT25	AW10	450	107950	860	125.5	142700	830
ALO 3 2AB10 AW10 7057.500-66M ES OT25	AW10	500	118130	970	121.7	157100	930
ALO 3 2AB10 AW10 7057.550-66M ES OT25	AW10	550	127820	1080	118.3	171200	1035
ALO 3 2AB10 AW10 7057.600-66M ES OT25	AW10	600	136990	1180	116	185100	1135

LUMINAIRE	OPTIC	LED CURRENT (mA)	RATED LUMINAIRE FLUX* (Tq=25°C, 5700K, lm)	RATED LUMINAIRE POWER* (Tq=25°C, Vin=230Vac, F, W)	LUMINAIRE EFFICACY (Tq=25°C, lm/W)	RATED LED FLUX* (Tj=85°C, 5700K, lm)	RATED LED POWER* (Tj=85°C, W)
ALO 3 2AB10 AW10 7057.650-66M ES OT25	AW10	650	145680	1290	112.9	198700	1240
ALO 3 2AB10 AW10 7057.700-66M ES OT25	AW10	700	153740	1390	110.6	212100	1345
ALO 3 2AB10 AW10 7057.750-66M ES OT25	AW10	750	161140	1500	107.4	225200	1450
ALO 3 2AB10 AW10 7057.800-66M ES OT25	AW10	800	167860	1590	105.5	238200	1555
ALO 3 2AB10 AW10 7057.825-66M ES OT25	AW10	825	170930	1640	104.2	244600	1610
ALO 3 2AB10 BAC 7057.350-66M OT25	BAC	350	90200	660	136.6	113100	635
ALO 3 2AB10 BAC 7057.400-66M OT25	BAC	400	101300	760	133.2	128100	730
ALO 3 2AB10 BAC 7057.450-66M OT25	BAC	450	112000	860	130.2	142700	830
ALO 3 2AB10 BAC 7057.500-66M OT25	BAC	500	122300	970	126	157100	930
ALO 3 2AB10 BAC 7057.550-66M OT25	BAC	550	132200	1080	122.4	171200	1035
ALO 3 2AB10 BAC 7057.600-66M OT25	BAC	600	141750	1180	120.1	185100	1135
ALO 3 2AB10 BAC 7057.650-66M OT25	BAC	650	150900	1290	116.9	198700	1240
ALO 3 2AB10 BAC 7057.700-66M OT25	BAC	700	159750	1390	114.9	212100	1345
ALO 3 2AB10 BAC 7057.750-66M OT25	BAC	750	168200	1500	112.1	225200	1450
ALO 3 2AB10 BAC 7057.800-66M OT25	BAC	800	176350	1590	110.9	238200	1555
ALO 3 2AB10 BAC 7057.825-66M OT25	BAC	825	180300	1640	109.9	244600	1610
ALO 3 2AB10 BAC 7057.350-66M ES OT25	BAC	350	88400	660	133.9	113100	635
ALO 3 2AB10 BAC 7057.400-66M ES OT25	BAC	400	99270	760	130.6	128100	730
ALO 3 2AB10 BAC 7057.450-66M ES OT25	BAC	450	109760	860	127.6	142700	830
ALO 3 2AB10 BAC 7057.500-66M ES OT25	BAC	500	119850	970	123.5	157100	930
ALO 3 2AB10 BAC 7057.550-66M ES OT25	BAC	550	129560	1080	119.9	171200	1035
ALO 3 2AB10 BAC 7057.600-66M ES OT25	BAC	600	138920	1180	117.7	185100	1135
ALO 3 2AB10 BAC 7057.650-66M ES OT25	BAC	650	147880	1290	114.6	198700	1240
ALO 3 2AB10 BAC 7057.700-66M ES OT25	BAC	700	156560	1390	112.6	212100	1345
ALO 3 2AB10 BAC 7057.750-66M ES OT25	BAC	750	164840	1500	109.8	225200	1450

LUMINAIRE	OPTIC	LED CURRENT (mA)	RATED LUMINAIRE FLUX* (Tq=25°C, 5700K, lm)	RATED LUMINAIRE POWER* (Tq=25°C, Vin=230Vac, F, W)	LUMINAIRE EFFICACY (Tq=25°C, lm/W)	RATED LED FLUX* (Tj=85°C, 5700K, lm)	RATED LED POWER* (Tj=85°C, W)
ALO 3 2AB10 BAC 7057.800-66M ES OT25	BAC	800	172820	1590	108.6	238200	1555
ALO 3 2AB10 BAC 7057.825-66M ES OT25	BAC	825	176690	1640	107.7	244600	1610
ALO 3 2AB10 BAL 7057.350-66M OT25	BAL	350	91100	660	138	113100	635
ALO 3 2AB10 BAL 7057.400-66M OT25	BAL	400	102300	760	134.6	128100	730
ALO 3 2AB10 BAL 7057.450-66M OT25	BAL	450	113100	860	131.5	142700	830
ALO 3 2AB10 BAL 7057.500-66M OT25	BAL	500	123500	970	127.3	157100	930
ALO 3 2AB10 BAL 7057.550-66M OT25	BAL	550	133500	1080	123.6	171200	1035
ALO 3 2AB10 BAL 7057.600-66M OT25	BAL	600	143150	1180	121.3	185100	1135
ALO 3 2AB10 BAL 7057.650-66M OT25	BAL	650	152400	1290	118.1	198700	1240
ALO 3 2AB10 BAL 7057.700-66M OT25	BAL	700	161350	1390	116	212100	1345
ALO 3 2AB10 BAL 7057.750-66M OT25	BAL	750	169900	1500	113.2	225200	1450
ALO 3 2AB10 BAL 7057.800-66M OT25	BAL	800	178100	1590	112	238200	1555
ALO 3 2AB10 BAL 7057.825-66M OT25	BAL	825	182100	1640	111	244600	1610
ALO 3 2AB10 BAL 7057.350-66M ES OT25	BAL	350	89280	660	135.2	113100	635
ALO 3 2AB10 BAL 7057.400-66M ES OT25	BAL	400	100250	760	131.9	128100	730
ALO 3 2AB10 BAL 7057.450-66M ES OT25	BAL	450	110840	860	128.8	142700	830
ALO 3 2AB10 BAL 7057.500-66M ES OT25	BAL	500	121030	970	124.7	157100	930
ALO 3 2AB10 BAL 7057.550-66M ES OT25	BAL	550	130830	1080	121.1	171200	1035
ALO 3 2AB10 BAL 7057.600-66M ES OT25	BAL	600	140290	1180	118.8	185100	1135
ALO 3 2AB10 BAL 7057.650-66M ES OT25	BAL	650	149350	1290	115.7	198700	1240
ALO 3 2AB10 BAL 7057.700-66M ES OT25	BAL	700	158120	1390	113.7	212100	1345
ALO 3 2AB10 BAL 7057.750-66M ES OT25	BAL	750	166500	1500	111	225200	1450
ALO 3 2AB10 BAL 7057.800-66M ES OT25	BAL	800	174540	1590	109.7	238200	1555
ALO 3 2AB10 BAL 7057.825-66M ES OT25	BAL	825	178460	1640	108.8	244600	1610
ALO 3 2AB10 BAR 7057.350-66M OT25	BAR	350	91100	660	138	113100	635

LUMINAIRE	OPTIC	LED CURRENT (mA)	RATED LUMINAIRE FLUX* (Tq=25°C, 5700K, lm)	RATED LUMINAIRE POWER* (Tq=25°C, Vin=230Vac, F, W)	LUMINAIRE EFFICACY (Tq=25°C, lm/W)	RATED LED FLUX* (Tj=85°C, 5700K, lm)	RATED LED POWER* (Tj=85°C, W)
ALO 3 2AB10 BAR 7057.400-66M OT25	BAR	400	102300	760	134.6	128100	730
ALO 3 2AB10 BAR 7057.450-66M OT25	BAR	450	113100	860	131.5	142700	830
ALO 3 2AB10 BAR 7057.500-66M OT25	BAR	500	123500	970	127.3	157100	930
ALO 3 2AB10 BAR 7057.550-66M OT25	BAR	550	133500	1080	123.6	171200	1035
ALO 3 2AB10 BAR 7057.600-66M OT25	BAR	600	143150	1180	121.3	185100	1135
ALO 3 2AB10 BAR 7057.650-66M OT25	BAR	650	152400	1290	118.1	198700	1240
ALO 3 2AB10 BAR 7057.700-66M OT25	BAR	700	161350	1390	116	212100	1345
ALO 3 2AB10 BAR 7057.750-66M OT25	BAR	750	169900	1500	113.2	225200	1450
ALO 3 2AB10 BAR 7057.800-66M OT25	BAR	800	178100	1590	112	238200	1555
ALO 3 2AB10 BAR 7057.825-66M OT25	BAR	825	182100	1640	111	244600	1610
ALO 3 2AB10 BAR 7057.350-66M ES OT25	BAR	350	89280	660	135.2	113100	635
ALO 3 2AB10 BAR 7057.400-66M ES OT25	BAR	400	100250	760	131.9	128100	730
ALO 3 2AB10 BAR 7057.450-66M ES OT25	BAR	450	110840	860	128.8	142700	830
ALO 3 2AB10 BAR 7057.500-66M ES OT25	BAR	500	121030	970	124.7	157100	930
ALO 3 2AB10 BAR 7057.550-66M ES OT25	BAR	550	130830	1080	121.1	171200	1035
ALO 3 2AB10 BAR 7057.600-66M ES OT25	BAR	600	140290	1180	118.8	185100	1135
ALO 3 2AB10 BAR 7057.650-66M ES OT25	BAR	650	149350	1290	115.7	198700	1240
ALO 3 2AB10 BAR 7057.700-66M ES OT25	BAR	700	158120	1390	113.7	212100	1345
ALO 3 2AB10 BAR 7057.750-66M ES OT25	BAR	750	166500	1500	111	225200	1450
ALO 3 2AB10 BAR 7057.800-66M ES OT25	BAR	800	174540	1590	109.7	238200	1555
ALO 3 2AB10 BAR 7057.825-66M ES OT25	BAR	825	178460	1640	108.8	244600	1610
ALO 3 2AB10 SP15 7057.350-66M OT25	SP15	350	98850	660	149.7	113100	635
ALO 3 2AB10 SP15 7057.400-66M OT25	SP15	400	111050	760	146.1	128100	730
ALO 3 2AB10 SP15 7057.450-66M OT25	SP15	450	122750	860	142.7	142700	830
ALO 3 2AB10 SP15 7057.500-66M OT25	SP15	500	134050	970	138.1	157100	930

LUMINAIRE	OPTIC	LED CURRENT (mA)	RATED LUMINAIRE FLUX* (Tq=25°C, 5700K, lm)	RATED LUMINAIRE POWER* (Tq=25°C, Vin=230Vac, F, W)	LUMINAIRE EFFICACY (Tq=25°C, lm/W)	RATED LED FLUX* (Tj=85°C, 5700K, lm)	RATED LED POWER* (Tj=85°C, W)
ALO 3 2AB10 SP15 7057.550-66M OT25	SP15	550	144950	1080	134.2	171200	1035
ALO 3 2AB10 SP15 7057.600-66M OT25	SP15	600	155400	1180	131.6	185100	1135
ALO 3 2AB10 SP15 7057.650-66M OT25	SP15	650	165450	1290	128.2	198700	1240
ALO 3 2AB10 SP15 7057.700-66M OT25	SP15	700	175100	1390	125.9	212100	1345
ALO 3 2AB10 SP15 7057.750-66M OT25	SP15	750	184400	1500	122.9	225200	1450
ALO 3 2AB10 SP15 7057.800-66M OT25	SP15	800	193300	1590	121.5	238200	1555
ALO 3 2AB10 SP15 7057.825-66M OT25	SP15	825	197650	1640	120.5	244600	1610
ALO 3 2AB10 SP25 7057.350-66M OT25	SP25	350	98850	660	149.7	113100	635
ALO 3 2AB10 SP25 7057.400-66M OT25	SP25	400	111050	760	146.1	128100	730
ALO 3 2AB10 SP25 7057.450-66M OT25	SP25	450	122750	860	142.7	142700	830
ALO 3 2AB10 SP25 7057.500-66M OT25	SP25	500	134050	970	138.1	157100	930
ALO 3 2AB10 SP25 7057.550-66M OT25	SP25	550	144950	1080	134.2	171200	1035
ALO 3 2AB10 SP25 7057.600-66M OT25	SP25	600	155400	1180	131.6	185100	1135
ALO 3 2AB10 SP25 7057.650-66M OT25	SP25	650	165450	1290	128.2	198700	1240
ALO 3 2AB10 SP25 7057.700-66M OT25	SP25	700	175100	1390	125.9	212100	1345
ALO 3 2AB10 SP25 7057.750-66M OT25	SP25	750	184400	1500	122.9	225200	1450
ALO 3 2AB10 SP25 7057.800-66M OT25	SP25	800	193300	1590	121.5	238200	1555
ALO 3 2AB10 SP25 7057.825-66M OT25	SP25	825	197650	1640	120.5	244600	1610
ALO 3 2AB10 SP40 7057.350-66M OT25	SP40	350	97900	660	148.3	113100	635
ALO 3 2AB10 SP40 7057.400-66M OT25	SP40	400	109950	760	144.6	128100	730
ALO 3 2AB10 SP40 7057.450-66M OT25	SP40	450	121550	860	141.3	142700	830
ALO 3 2AB10 SP40 7057.500-66M OT25	SP40	500	132700	970	136.8	157100	930
ALO 3 2AB10 SP40 7057.550-66M OT25	SP40	550	143500	1080	132.8	171200	1035
ALO 3 2AB10 SP40 7057.600-66M OT25	SP40	600	153850	1180	130.3	185100	1135
ALO 3 2AB10 SP40 7057.650-66M OT25	SP40	650	163800	1290	126.9	198700	1240

LUMINAIRE	OPTIC	LED CURRENT (mA)	RATED LUMINAIRE FLUX* (Tq=25°C, 5700K, lm)	RATED LUMINAIRE POWER* (Tq=25°C, Vin=230Vac, F, W)	LUMINAIRE EFFICACY (Tq=25°C, lm/W)	RATED LED FLUX* (Tj=85°C, 5700K, lm)	RATED LED POWER* (Tj=85°C, W)
ALO 3 2AB10 SP40 7057.700-66M OT25	SP40	700	173350	1390	124.7	212100	1345
ALO 3 2AB10 SP40 7057.750-66M OT25	SP40	750	182550	1500	121.7	225200	1450
ALO 3 2AB10 SP40 7057.800-66M OT25	SP40	800	191400	1590	120.3	238200	1555
ALO 3 2AB10 SP40 7057.825-66M OT25	SP40	825	195650	1640	119.2	244600	1610
ALO 3 2AB10 SP55 7057.350-66M OT25	SP55	350	90250	660	136.7	113100	635
ALO 3 2AB10 SP55 7057.400-66M OT25	SP55	400	101350	760	133.3	128100	730
ALO 3 2AB10 SP55 7057.450-66M OT25	SP55	450	112050	860	130.2	142700	830
ALO 3 2AB10 SP55 7057.500-66M OT25	SP55	500	122350	970	126.1	157100	930
ALO 3 2AB10 SP55 7057.550-66M OT25	SP55	550	132300	1080	122.5	171200	1035
ALO 3 2AB10 SP55 7057.600-66M OT25	SP55	600	141850	1180	120.2	185100	1135
ALO 3 2AB10 SP55 7057.650-66M OT25	SP55	650	151000	1290	117	198700	1240
ALO 3 2AB10 SP55 7057.700-66M OT25	SP55	700	159850	1390	115	212100	1345
ALO 3 2AB10 SP55 7057.750-66M OT25	SP55	750	168300	1500	112.2	225200	1450
ALO 3 2AB10 SP55 7057.800-66M OT25	SP55	800	176450	1590	110.9	238200	1555
ALO 3 2AB10 SP55 7057.825-66M OT25	SP55	825	180350	1640	109.9	244600	1610

*RATED LUMINAIRE FLUX / RATED LUMINAIRE POWER: Rated data obtained in laboratory.

*RATED LED FLUX / RATED LED POWER: Rated data extrapolated from LED manufacturer datasheet.

Values indicated in this technical sheet are to be considered rated values. Flux tolerance: $\pm 7\%$. Power tolerance: $\pm 10\%$.

The characteristics of the product listed above are subjected to change without notice.

Performance data for other operating temperatures (OT) and other combinations of CRI and CCT available on request.

There may be current limitations depending on the operating temperature. See dedicated section on following pages.

Temperature by Geographic Area

Geographic Area	Country	Hottest month Average Ta (°C)	Suggested OT (°C)	Geographic Area	Country	Hottest month Average Ta (°C)	Suggested OT (°C)
America	Argentina	28	30	EU	Austria	26	25
America	Brazil	28	30	EU	Bosnia Herzegovina	34	35
America	Canada	25	25	EU	Denmark	21	20
America	Chile	30	30	EU	Estonia	21	20
	Colombia	19	20	EU	Finland	20	20
America	Mexico	27	30	EU	France (Lyon)	28	30
America	Perù	27	30	EU	France (Marseille)	30	30
America	USA (Arizona)	40	40	EU	France (Parigi)	25	25
America	USA (New York)	29	30	EU	Germany	25	25
Asia/Oceania	Australia	27	30	EU	Greece	33	35
Asia/Oceania	South Korea	30	30	EU	Ireland	19	20
Asia/Oceania	Philippines	34	35	EU	Iceland	14	15
Asia/Oceania	Hong Kong	32	35	EU	Canary Islands	28	30
Asia/Oceania	India	36	35	EU	Italy	30	30
Asia/Oceania	Malaysia	33	35	EU	Liechtenstein	24	25
Asia/Oceania	New Zealand	23	25	EU	Lithuania	23	25
Asia/Oceania	Pakistan	34	35	EU	Luxembourg	24	25
Asia/Oceania	Russia	24	25	EU	Malta	32	35
Asia/Oceania	Singapore	32	35	EU	Norway	21	20
Asia/Oceania	Taiwan	34	35	EU	Netherlands	20	20
Asia/Oceania	Vietnam	34	35	EU	Poland	24	25
EMEA	Saudi Arabia	43	45	EU	Portugal	29	30
EMEA	Bahrain	39	40	EU	Czech Republic	25	25
EMEA	Egypt	35	35	EU	Romania	30	30
EMEA	Jordan	32	35	EU	Scotland	19	20
EMEA	Israel	30	30	EU	Slovenia	27	30
EMEA	Kuwait	46	50	EU	Spain (Madrid)	33	35
EMEA	Libanon	30	30	EU	Spain (Malaga)	31	30
EMEA	Morocco	27	30	EU	Spain (Barcelona)	32	35
EMEA	Oman	38	40	EU	Sweden (Goteborg)	21	20
EMEA	Qatar	42	45	EU	Sweden (Borlänge)	23	25
EMEA	UAE (Abu Dhabi)	40	40	EU	Switzerland	25	25
				EU	Turkey (Ankara)	31	30
				EU	Ukraine (Kiev)	26	25
				EU	UK	20	20

Maximum Current for Operating Temperature

SPORT LIGHTING - OUTDOOR								
Temperature (°C)	OT15	OT20	OT25	OT30	OT35	OT40	OT45	OT50
Max. Current (mA)	825	825	825	800	750	700	650	600

SPORT LIGHTING - INDOOR						
Temperature (°C)	OT25	OT30	OT35	OT40	OT45	OT50
Max. Current (mA)	800	750	700	650	600	550