

GALILEO 3 TUNNEL EB

MAIN CHARACTERISTICS

Applications	Tunnel lighting.
Optic	ASC: Asymmetric optic with adjustable emission for tunnel reinforcement lighting. SS: Symmetric optic with adjustable emission for tunnel permanent lighting. Colour temperature: 5700K (4000K optional) CRI ≥ 70 Photobiological safety class: EXEMPT GROUP LED source efficiency: 168 lm/W @ 525mA, Tj=85°C, 5700K
Insulation class	II, I
Protection degree	IP66 IK08
LED Modules	Removable / Replaceable optical unit
Tilt Angle	<i>See dimensional drawings section</i>
Dimensions	
Weight	
Exposed surface	
Mounting	Mounting with adjustable integrated flange (<i>See fixing flange section</i>)
Gear tray	Mounting on the luminaire body with integrated flanges. Optional: separated box with M/F IP66/68 quick release connectors.
Operating temp.	-40°C / +50°C (525mA) -40°C / +35°C (700mA)
Storage temp.	-40°C / +80°C
Main reference standards	EN 60598-1, EN 60598-2-3, EN 60598-2-5, EN 62471, EN 55015, EN 61547, EN 61000-3-2, EN 61000-3-3

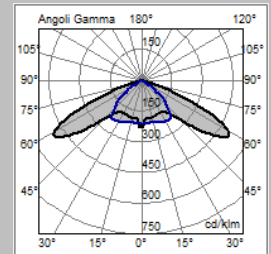


ELECTRICAL CHARACTERISTICS

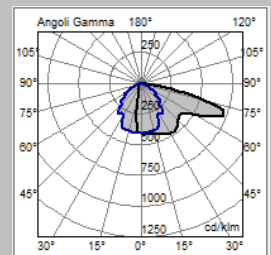
Rated voltage	220±240V 50/60Hz (<i>Standard tolerance +/-10%, other voltages and tolerances upon request</i>)
Power factor	>0,9 (at full load)
Mains connection	Cable FG7-OM1 0.6/1kV 2/3x1,5 mm² L=1,5 mt Optional: FTG10-OM1 0.6/1kV 2/3x1,5 mm² L=1,5 mt Optional: plug IEC309 2P+T 16A IP67
Surge protection	Up to 10kV With SPD (optional) 10kV / 10kV CM/DM
SPD (optional)	10kV-10kA, type II, with LED signal and thermo fuse to disconnect load at the end of life.
Control system (options)	F: Fixed power not dimmable. DB: Dual Power with control wire. DALI: Digital dimming interface DALI. FLC: Constant light flux.
Optical unit lifetime (Tq=25°C, 700mA)	>100.000hr L90B10 >100.000hr L90, TM-21

MATERIALS

Fixing	Stainless steel AISI 304 (AISI 316L optional) with plastic spacers to avoid galvanic corrosion.
Heat-sink	Die-cast aluminium UNI EN1706 with low copper content.
Body	Powder painted.
Gear tray	Anodized aluminium (body). Die-cast aluminium (caps).
Optic	99.85% aluminium with a surface finish in 99.95% with vacuum-sealed deposition. Alluminum grade class A+ (DIN EN 16268).
Screen	Flat tempered glass, 5mm thickness.
Cable gland	Metallic, M20x1,5 – IP68
Gasket	Polyurethane
Colour	Graphite - Cod. 01



SS-6W Optic



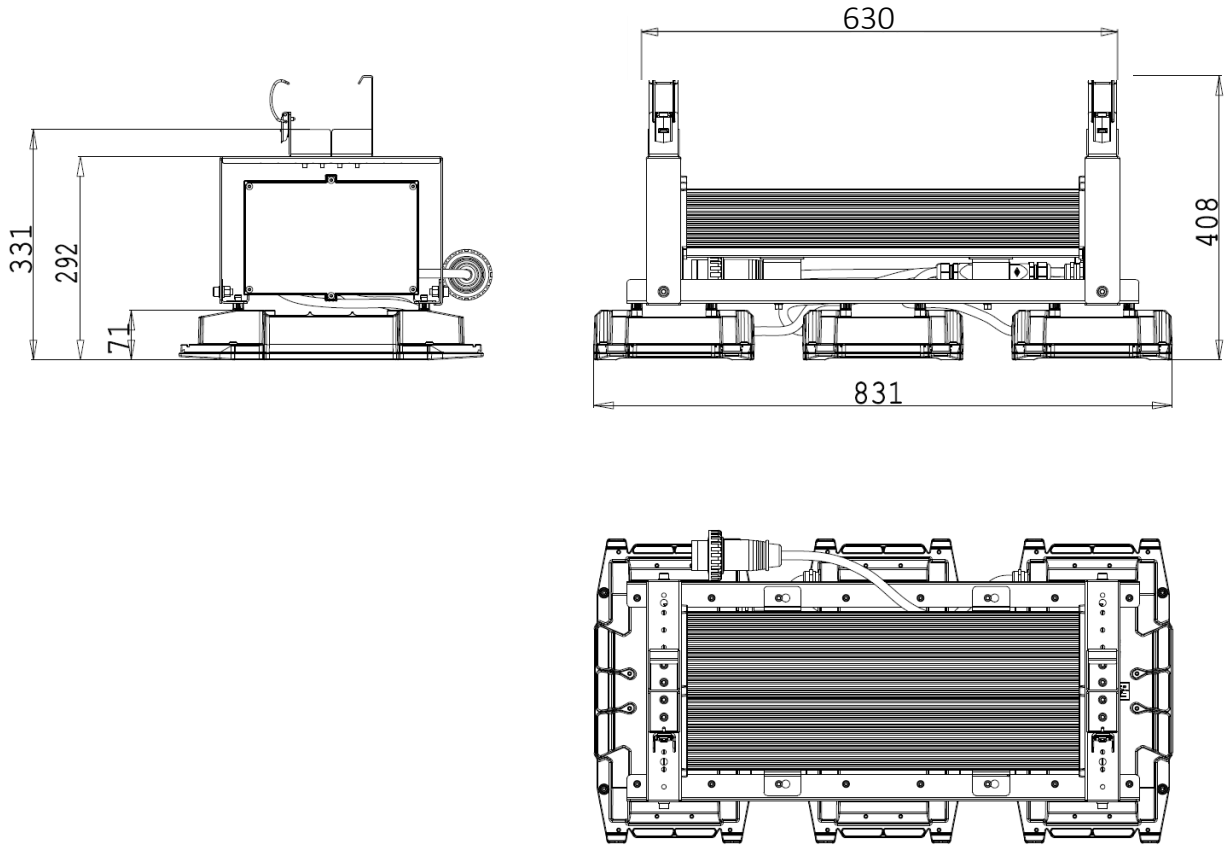
ASC-7W Optic

All the published photometrical data has been obtained according to EN 13032-1

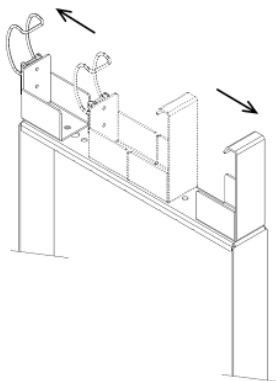
GALILEO 3 EB

DIMENSIONAL DRAWINGS

WEIGHT WITHOUT FIXING FLANGE: 27.5 kg
 SIDE SURFACE: 0.16 m²
 TOP SURFACE: 0.31 m²



FIXING FLANGE



Adjustable fixing flange for cable channel
 100x75mm up to 300x75mm.
 Tilt angle on request.

1.8 kg





LUMINAIRE	OPTIC	RATED LUMINAIRE FLUX* (Tq=25°C, 5700K, lm)	RATED LUMINAIRE POWER* (Tq=25°C, Vin=230Vac, F/DA/DAC, W)	LUMINAIRE EFFICACY (Tq=25°C, lm/W)	RATED LED FLUX* (Tj=85°C, 5700K, lm)	RATED LED POWER* (Tj=85°C, W)
Galileo 3 Tunnel EB 0F6 6.5-7M	ASC-4W	35430	262	135	44191	245
Galileo 3 Tunnel EB 0F6 6.5-8M		39210	302	130	50504	280
Galileo 3 Tunnel EB 0F6 6.5-9M		43890	336	131	56817	315
Galileo 3 Tunnel EB 0F6 6.7-7M	ASC-4W	43520	350	124	55944	329
Galileo 3 Tunnel EB 0F6 6.7-8M		48070	404	119	63936	376
Galileo 3 Tunnel EB 0F6 6.7-9M		53840	450	120	71928	423
Galileo 3 Tunnel EB 0F6 6.5-7M	ASC-5W	34790	262	133	44191	245
Galileo 3 Tunnel EB 0F6 6.5-8M		38650	302	128	50504	280
Galileo 3 Tunnel EB 0F6 6.5-9M		43060	336	128	56817	315
Galileo 3 Tunnel EB 0F6 6.7-7M	ASC-5W	42720	350	122	55944	329
Galileo 3 Tunnel EB 0F6 6.7-8M		47400	404	117	63936	376
Galileo 3 Tunnel EB 0F6 6.7-9M		52830	450	117	71928	423
Galileo 3 Tunnel EB 0F6 6.5-7M	ASC-6W	34290	262	131	44191	245
Galileo 3 Tunnel EB 0F6 6.5-8M		38100	302	126	50504	280
Galileo 3 Tunnel EB 0F6 6.5-9M		42440	336	126	56817	315
Galileo 3 Tunnel EB 0F6 6.7-7M	ASC-6W	42110	350	120	55944	329
Galileo 3 Tunnel EB 0F6 6.7-8M		46730	404	116	63936	376
Galileo 3 Tunnel EB 0F6 6.7-9M		52060	450	116	71928	423
Galileo 3 Tunnel EB 0F6 6.5-7M	ASC-7W	33630	262	128	44191	245
Galileo 3 Tunnel EB 0F6 6.5-8M		37540	302	124	50504	280
Galileo 3 Tunnel EB 0F6 6.5-9M		41820	336	124	56817	315



LUMINAIRE	OPTIC	RATED LUMINAIRE FLUX* (Tq=25°C, 5700K, lm)	RATED LUMINAIRE POWER* (Tq=25°C, Vin=230Vac, F/DA/DAC, W)	LUMINAIRE EFFICACY (Tq=25°C, lm/W)	RATED LED FLUX* (Tj=85°C, 5700K, lm)	RATED LED POWER* (Tj=85°C, W)
Galileo 3 Tunnel EB 0F6 6.7-7M		41300	350	118	55944	329
Galileo 3 Tunnel EB 0F6 6.7-8M	ASC-7W	46030	404	114	63936	376
Galileo 3 Tunnel EB 0F6 6.7-9M		51310	450	114	71928	423
Galileo 3 Tunnel EB 0F6 6.5-7M	SS-6A	34640	262	132	44191	245
Galileo 3 Tunnel EB 0F6 6.5-8M	SS-6M	38660	302	128	50504	280
Galileo 3 Tunnel EB 0F6 6.5-9M	SS-6W	43070	336	128	56817	315
Galileo 3 Tunnel EB 0F6 6.7-7M	SS-6A	42530	350	122	55944	329
Galileo 3 Tunnel EB 0F6 6.7-8M	SS-6M	47410	404	117	63936	376
Galileo 3 Tunnel EB 0F6 6.7-9M	SS-6W	52850	450	117	71928	423
Galileo 3 Tunnel EB 0F6 6.5-7M	SS-7A	33630	262	128	44191	245
Galileo 3 Tunnel EB 0F6 6.5-8M	SS-7M	37540	302	124	50504	280
Galileo 3 Tunnel EB 0F6 6.5-9M	SS-7W	41820	336	124	56817	315
Galileo 3 Tunnel EB 0F6 6.7-7M	SS-7A	41300	350	118	55944	329
Galileo 3 Tunnel EB 0F6 6.7-8M	SS-7M	46030	404	114	63936	376
Galileo 3 Tunnel EB 0F6 6.7-9M	SS-7W	51310	450	114	71928	423

*RATED LUMINAIRE FLUX / RATED LUMINAIRE POWER: Rated data obtained in laboratory.

*RATED LED FLUX / RATED LED POWER: Rated data extrapolated from LED manufacturer datasheet.

Values indicated in this technical sheet are to be considered rated values. Flux tolerance: ±7%. Power tolerance: ±5%.

The characteristics of the product listed above are subjected to change without notice.



LUMINAIRE	OPTIC	RATED LUMINAIRE FLUX* (Tq=25°C, 4000K, lm)	RATED LUMINAIRE POWER* (Tq=25°C, Vin=230Vac, F/DA/DAC, W)	LUMINAIRE EFFICACY (Tq=25°C, lm/W)	RATED LED FLUX* (Tj=85°C, 4000K, lm)	RATED LED POWER* (Tj=85°C, W)
Galileo 3 Tunnel EB 0F6 4.5-7M	ASC-4W	34740	262	132	41307	245
Galileo 3 Tunnel EB 0F6 4.5-8M		38440	302	127	47208	280
Galileo 3 Tunnel EB 0F6 4.5-9M		43030	336	128	53109	315
Galileo 3 Tunnel EB 0F6 4.7-7M	ASC-4W	42670	350	121	52290	329
Galileo 3 Tunnel EB 0F6 4.7-8M		47130	404	116	59760	376
Galileo 3 Tunnel EB 0F6 4.7-9M		52780	450	117	67230	423
Galileo 3 Tunnel EB 0F6 4.5-7M	ASC-5W	34110	262	130	41307	245
Galileo 3 Tunnel EB 0F6 4.5-8M		37890	302	125	47208	280
Galileo 3 Tunnel EB 0F6 4.5-9M		42220	336	125	53109	315
Galileo 3 Tunnel EB 0F6 4.7-7M	ASC-5W	41880	350	119	52290	329
Galileo 3 Tunnel EB 0F6 4.7-8M		46470	404	115	59760	376
Galileo 3 Tunnel EB 0F6 4.7-9M		51790	450	115	67230	423
Galileo 3 Tunnel EB 0F6 4.5-7M	ASC-6W	33620	262	128	41307	245
Galileo 3 Tunnel EB 0F6 4.5-8M		37350	302	123	47208	280
Galileo 3 Tunnel EB 0F6 4.5-9M		41610	336	123	53109	315
Galileo 3 Tunnel EB 0F6 4.7-7M	ASC-6W	41280	350	117	52290	329
Galileo 3 Tunnel EB 0F6 4.7-8M		45810	404	113	59760	376
Galileo 3 Tunnel EB 0F6 4.7-9M		51040	450	113	67230	423
Galileo 3 Tunnel EB 0F6 4.5-7M	ASC-7W	32970	262	125	41307	245
Galileo 3 Tunnel EB 0F6 4.5-8M		36800	302	121	47208	280
Galileo 3 Tunnel EB 0F6 4.5-9M		41000	336	122	53109	315



LUMINAIRE	OPTIC	RATED LUMINAIRE FLUX* (Tq=25°C, 4000K, lm)	RATED LUMINAIRE POWER* (Tq=25°C, Vin=230Vac, F/DA/DAC, W)	LUMINAIRE EFFICACY (Tq=25°C, lm/W)	RATED LED FLUX* (Tj=85°C, 4000K, lm)	RATED LED POWER* (Tj=85°C, W)
Galileo 3 Tunnel EB 0F6 4.7-7M		40490	350	115	52290	329
Galileo 3 Tunnel EB 0F6 4.7-8M	ASC-7W	45130	404	111	59760	376
Galileo 3 Tunnel EB 0F6 4.7-9M		50300	450	111	67230	423
Galileo 3 Tunnel EB 0F6 4.5-7M	SS-6A	33960	266	127	41307	245
Galileo 3 Tunnel EB 0F6 4.5-8M	SS-6M	37900	304	124	47208	280
Galileo 3 Tunnel EB 0F6 4.5-9M	SS-6W	42230	342	123	53109	315
Galileo 3 Tunnel EB 0F6 4.7-7M	SS-6A	41700	356	117	52290	329
Galileo 3 Tunnel EB 0F6 4.7-8M	SS-6M	46480	404	115	59760	376
Galileo 3 Tunnel EB 0F6 4.7-9M	SS-6W	51810	454	114	67230	423
Galileo 3 Tunnel EB 0F6 4.5-7M	SS-7A	32970	262	125	41307	245
Galileo 3 Tunnel EB 0F6 4.5-8M	SS-7M	36800	302	121	47208	280
Galileo 3 Tunnel EB 0F6 4.5-9M	SS-7W	41000	336	122	53109	315
Galileo 3 Tunnel EB 0F6 4.7-7M	SS-7A	40490	350	115	52290	329
Galileo 3 Tunnel EB 0F6 4.7-8M	SS-7M	45130	404	111	59760	376
Galileo 3 Tunnel EB 0F6 4.7-9M	SS-7W	50300	450	111	67230	423

*RATED LUMINAIRE FLUX / RATED LUMINAIRE POWER: Rated data obtained in laboratory.

*RATED LED FLUX / RATED LED POWER: Rated data extrapolated from LED manufacturer datasheet.

Values indicated in this technical sheet are to be considered rated values. Flux tolerance: ±7%. Power tolerance: ±5%.

The characteristics of the product listed above are subjected to change without notice.