

GALILEO 1 TUNNEL EB

MAIN CHARACTERISTICS

Applications	Tunnel lighting.
Optic	ASC: Asymmetric optic with adjustable emission for tunnel reinforcement lighting. SS: Symmetric optic with adjustable emission for tunnel permanent lighting. Colour temperature: 5700K (4000K optional) CRI ≥ 70 Photobiological safety class: EXEMPT GROUP LED source efficiency: 168 lm/W @ 525mA, T _j =85°C, 5700K
Insulation class	II, I
Protection degree	IP66 IK08
LED Modules	Removable / Replaceable optical unit
Tilt Angle	<i>See dimensional drawings section</i>
Dimensions	
Weight	
Exposed surface	
Mounting	
Gear tray	Mounting on the luminaire body with integrated flanges. Optional: separated box with M/F IP66/68 quick release connectors.
Operating temp.	-40°C / +50°C (525mA) -40°C / +35°C (700mA)
Storage temp.	-40°C / +80°C
Main reference standards	EN 60598-1, EN 60598-2-3, EN 60598-2-5, EN 62471, EN 55015, EN 61547, EN 61000-3-2, EN 61000-3-3

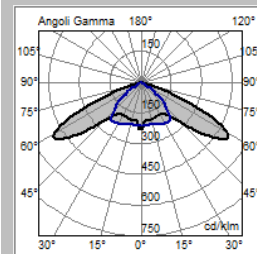


ELECTRICAL CHARACTERISTICS

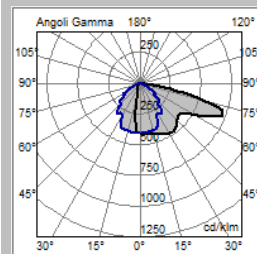
Rated voltage	220÷240V 50/60Hz (<i>Standard tolerance +/-10%, other voltages and tolerances upon request</i>)
Power factor	>0,9 (at full load)
Mains connection	Cable FG7-OM1 0.6/1kV 2/3x1,5 mm ² L=1,5 mt Optional: FTG10-OM1 0.6/1kV 2/3x1,5 mm ² L=1,5 mt Optional: Plug IEC309 2P+T 16A IP67
Surge protection	Up to 10kV With SPD (optional) 10kV / 10kV CM/DM
SPD (optional)	10kV-10kA, type II, with LED signal and thermo fuse to disconnect load at the end of life.
Control system (options)	F: Fixed power not dimmable. DB: Dual Power with control wire. DALI: Digital dimming interface DALI. FLC: Constant light flux.
Optical unit lifetime (T_q=25°C, 700mA)	>100.000hr L90B10 >100.000hr L90, TM-21

MATERIALS

Fixing	Stainless steel AISI 304 (AISI 316L optional) with plastic spacers to avoid galvanic corrosion.
Heat-sink	Die-cast aluminium UNI EN1706 with low copper content.
Body	Powder painted.
Gear tray	Anodized aluminum (body). Die-cast aluminum (caps)
Optic	99.85% aluminium with a surface finish in 99.95% with vacuum-sealed deposition. Alluminum grade class A+ (DIN EN 16268)
Screen	Flat tempered glass, 5mm thickness.
Cable gland	Metallic, M20x1,5 – IP68
Gasket	Polyurethane
Colour	Graphite - Cod. 01



SS-6W Optic



ASC-7W Optic

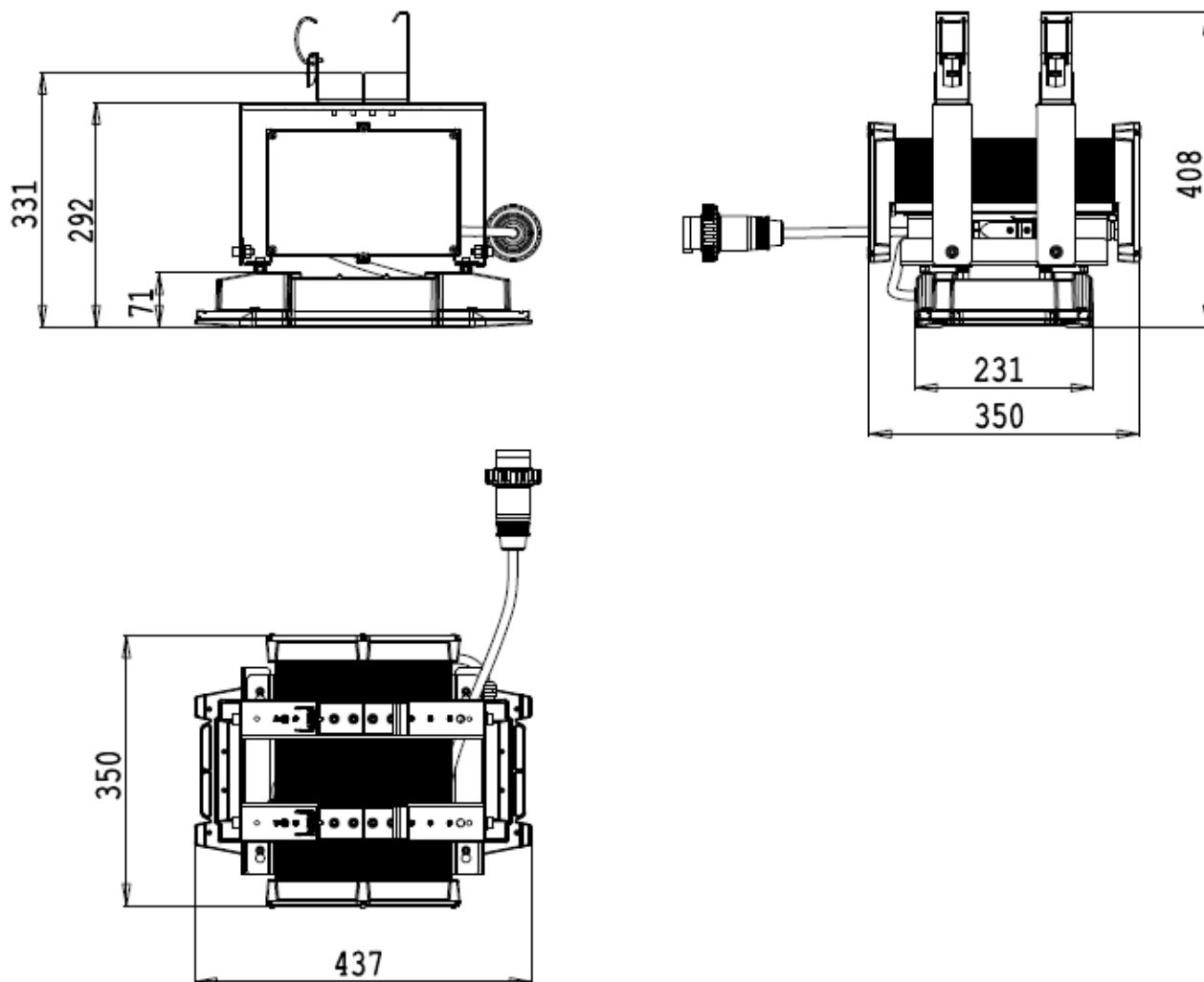
All the published photometrical data has been obtained according to EN 13032-1

GALILEO 1 TUNNEL EB

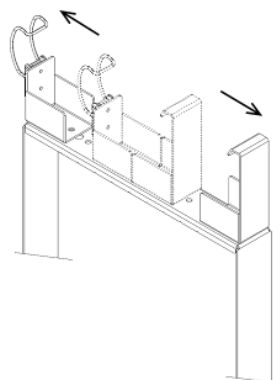
Product sheet

DIMENSIONAL DRAWINGS

WEIGHT WITHOUT FIXING FLANGE: 11.8 kg
 SIDE SURFACE: 0.07 m²
 TOP SURFACE: 0.13 m²



FIXING FLANGE



Adjustable fixing flange for cable channel
 100x75mm up to 300x75mm.
 Tilt angle on request.

1.8 kg





LUMINAIRE	OPTIC	RATED LUMINAIRE FLUX* (Tq=25°C, 5700K, lm)	RATED LUMINAIRE POWER* (Tq=25°C, Vin=230Vac, F/DA/DAC, W)	LUMINAIRE EFFICACY (Tq=25°C, lm/W)	RATED LED FLUX* (Tj=85°C, 5700K, lm)	RATED LED POWER* (Tj=85°C, W)
Galileo 1 Tunnel EB 0F6 6.5-1M	ASC-4W	5220	39	133	6313	35
Galileo 1 Tunnel EB 0F6 6.5-2M		10280	76	135	12626	70
Galileo 1 Tunnel EB 0F6 6.5-3M		15350	112	137	18939	105
Galileo 1 Tunnel EB 0F6 6.7-1M	ASC-4W	6540	52	125	7992	47
Galileo 1 Tunnel EB 0F6 6.7-2M		12850	102	125	15984	94
Galileo 1 Tunnel EB 0F6 6.7-3M		18900	150	126	23976	141
Galileo 1 Tunnel EB 0F6 6.5-1M	ASC-5W	5130	39	131	6313	35
Galileo 1 Tunnel EB 0F6 6.5-2M		10100	76	132	12626	70
Galileo 1 Tunnel EB 0F6 6.5-3M		15070	112	134	18939	105
Galileo 1 Tunnel EB 0F6 6.7-1M	ASC-5W	6420	52	123	7992	47
Galileo 1 Tunnel EB 0F6 6.7-2M		12620	102	123	15984	94
Galileo 1 Tunnel EB 0F6 6.7-3M		18550	150	123	23976	141
Galileo 1 Tunnel EB 0F6 6.5-1M	ASC-6W	5050	39	129	6313	35
Galileo 1 Tunnel EB 0F6 6.5-2M		9960	76	131	12626	70
Galileo 1 Tunnel EB 0F6 6.5-3M		14850	112	132	18939	105
Galileo 1 Tunnel EB 0F6 6.7-1M	ASC-6W	6330	52	121	7992	47
Galileo 1 Tunnel EB 0F6 6.7-2M		12430	102	121	15984	94
Galileo 1 Tunnel EB 0F6 6.7-3M		18280	150	121	23976	141



LUMINAIRE	OPTIC	RATED LUMINAIRE FLUX* (Tq=25°C, 5700K, lm)	RATED LUMINAIRE POWER* (Tq=25°C, Vin=230Vac, F/DA/DAC, W)	LUMINAIRE EFFICACY (Tq=25°C, lm/W)	RATED LED FLUX* (Tj=85°C, 5700K, lm)	RATED LED POWER* (Tj=85°C, W)
Galileo 1 Tunnel EB 0F6 6.5-1M	ASC-7W	4960	39	127	6313	35
Galileo 1 Tunnel EB 0F6 6.5-2M		9760	76	128	12626	70
Galileo 1 Tunnel EB 0F6 6.5-3M		14630	112	130	18939	105
Galileo 1 Tunnel EB 0F6 6.7-1M	ASC-7W	6210	52	119	7992	47
Galileo 1 Tunnel EB 0F6 6.7-2M		12200	102	119	15984	94
Galileo 1 Tunnel EB 0F6 6.7-3M		18010	150	120	23976	141
Galileo 1 Tunnel EB 0F6 6.5-1M	SS-6A SS-6M SS-6W	5110	39	131	6313	35
Galileo 1 Tunnel EB 0F6 6.5-2M		10060	76	132	12626	70
Galileo 1 Tunnel EB 0F6 6.5-3M		15070	112	134	18939	105
Galileo 1 Tunnel EB 0F6 6.7-2M	SS-6A SS-6M SS-6W	12570	102	123	15984	94
Galileo 1 Tunnel EB 0F6 6.7-3M		18550	150	123	23976	141
Galileo 1 Tunnel EB 0F6 6.5-1M		SS-7A SS-7M SS-7W	4960	39	127	6313
Galileo 1 Tunnel EB 0F6 6.5-2M	9760		76	128	12626	70
Galileo 1 Tunnel EB 0F6 6.5-3M	14630		112	130	18939	105
Galileo 1 Tunnel EB 0F6 6.7-2M	SS-7A SS-7M SS-7W	12200	102	119	15984	94
Galileo 1 Tunnel EB 0F6 6.7-3M		18010	150	120	23976	141

*RATED LUMINAIRE FLUX / RATED LUMINAIRE POWER: Rated data obtained in laboratory.

*RATED LED FLUX / RATED LED POWER: Rated data extrapolated from LED manufacturer datasheet.

Values indicated in this technical sheet are to be considered rated values. Flux tolerance: $\pm 7\%$. Power tolerance: $\pm 5\%$.

The characteristics of the product listed above are subjected to change without notice.



LUMINAIRE	OPTIC	RATED LUMINAIRE FLUX* (Tq=25°C, 4000K, lm)	RATED LUMINAIRE POWER* (Tq=25°C, Vin=230Vac, F/DA/DAC, W)	LUMINAIRE EFFICACY (Tq=25°C, lm/W)	RATED LED FLUX* (Tj=85°C, 4000K, lm)	RATED LED POWER* (Tj=85°C, W)
Galileo 1 Tunnel EB 0F6 4.5-1M	ASC-4W	5120	39	131	5901	35
Galileo 1 Tunnel EB 0F6 4.5-2M		10080	76	132	11802	70
Galileo 1 Tunnel EB 0F6 4.5-3M		15050	112	134	17703	105
Galileo 1 Tunnel EB 0F6 4.7-1M	ASC-4W	6410	52	123	7470	47
Galileo 1 Tunnel EB 0F6 4.7-2M		12600	102	123	14940	94
Galileo 1 Tunnel EB 0F6 4.7-3M		18530	150	123	22410	141
Galileo 1 Tunnel EB 0F6 4.5-1M	ASC-5W	5030	39	128	5901	35
Galileo 1 Tunnel EB 0F6 4.5-2M		9900	76	130	11802	70
Galileo 1 Tunnel EB 0F6 4.5-3M		14770	112	131	17703	105
Galileo 1 Tunnel EB 0F6 4.7-1M	ASC-5W	6290	52	120	7470	47
Galileo 1 Tunnel EB 0F6 4.7-2M		12370	102	121	14940	94
Galileo 1 Tunnel EB 0F6 4.7-3M		18190	150	121	22410	141
Galileo 1 Tunnel EB 0F6 4.5-1M	ASC-6W	4950	39	126	5901	35
Galileo 1 Tunnel EB 0F6 4.5-2M		9760	76	128	11802	70
Galileo 1 Tunnel EB 0F6 4.5-3M		14560	112	130	17703	105
Galileo 1 Tunnel EB 0F6 4.7-1M	ASC-6W	6210	52	119	7470	47
Galileo 1 Tunnel EB 0F6 4.7-2M		12190	102	119	14940	94
Galileo 1 Tunnel EB 0F6 4.7-3M		17920	150	119	22410	141



LUMINAIRE	OPTIC	RATED LUMINAIRE FLUX* (Tq=25°C, 4000K, lm)	RATED LUMINAIRE POWER* (Tq=25°C, Vin=230Vac, F/DA/DAC, W)	LUMINAIRE EFFICACY (Tq=25°C, lm/W)	RATED LED FLUX* (Tj=85°C, 4000K, lm)	RATED LED POWER* (Tj=85°C, W)
Galileo 1 Tunnel EB 0F6 4.5-1M	ASC-7W	4860	39	124	5901	35
Galileo 1 Tunnel EB 0F6 4.5-2M		9570	76	125	11802	70
Galileo 1 Tunnel EB 0F6 4.5-3M		14340	112	128	17703	105
Galileo 1 Tunnel EB 0F6 4.7-1M	ASC-7W	6090	52	117	7470	47
Galileo 1 Tunnel EB 0F6 4.7-2M		11960	102	117	14940	94
Galileo 1 Tunnel EB 0F6 4.7-3M		17660	150	117	22410	141
Galileo 1 Tunnel EB 0F6 4.5-1M	SS-6A SS-6M SS-6W	5010	39	128	5901	35
Galileo 1 Tunnel EB 0F6 4.5-2M		9860	76	129	11802	70
Galileo 1 Tunnel EB 0F6 4.5-3M		14770	112	131	17703	105
Galileo 1 Tunnel EB 0F6 4.7-2M	SS-6A SS-6M SS-6W	12320	102	120	14940	94
Galileo 1 Tunnel EB 0F6 4.7-3M		18190	150	121	22410	141
Galileo 1 Tunnel EB 0F6 4.5-1M		SS-7A SS-7M SS-7W	4860	39	124	5901
Galileo 1 Tunnel EB 0F6 4.5-2M	9570		76	125	11802	70
Galileo 1 Tunnel EB 0F6 4.5-3M	14340		112	128	17703	105
Galileo 1 Tunnel EB 0F6 4.7-2M	SS-7A SS-7M SS-7W	11960	102	117	14940	94
Galileo 1 Tunnel EB 0F6 4.7-3M		17660	150	117	22410	141

*RATED LUMINAIRE FLUX / RATED LUMINAIRE POWER: Rated data obtained in laboratory.

*RATED LED FLUX / RATED LED POWER: Rated data extrapolated from LED manufacturer datasheet.

Values indicated in this technical sheet are to be considered rated values. Flux tolerance: $\pm 7\%$. Power tolerance: $\pm 5\%$.

The characteristics of the product listed above are subjected to change without notice.