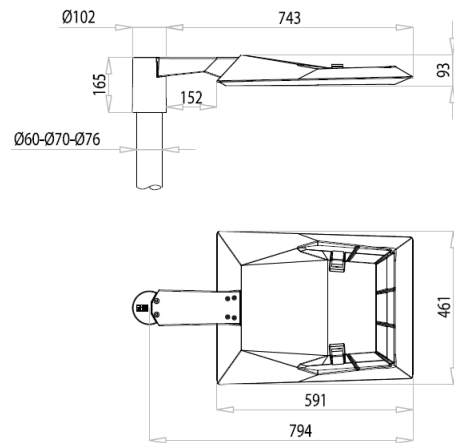
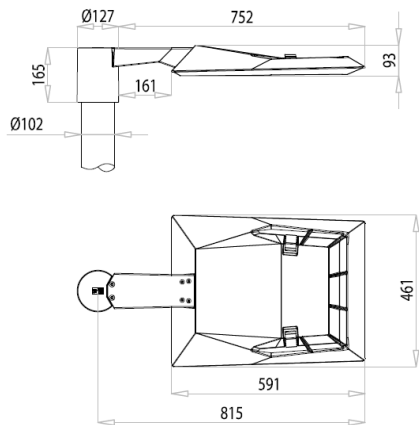


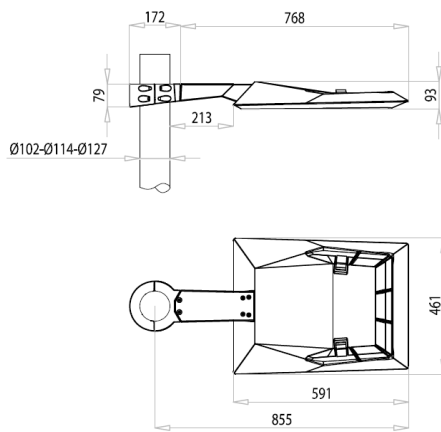
MASTER 6	
MAIN CHARACTERISTICS	
Applications	Street and urban lighting.
Optic	STE-M/S: Asymmetrical optic for suburban street lighting. STU-M/S: Asymmetrical optic for street, urban and cycle-path lighting. STW: Asymmetrical optic for wide urban and suburban road lighting, specific for wet asphalts. SV/SV2: Asymmetrical optic for narrow urban streets or highway entrance/exit turns. S05: Asymmetrical optic for street, urban and green areas lighting. S: Symmetrical optic for urban lighting and green areas. OP-DX/SX: Asymmetrical optic for crosswalks lighting. ASC: Asymmetrical optics for floodlighting. Colour temperature: 4000K (3000K optional) CRI ≥ 70 LOR= 100%, DLOR= 100%, ULOR= 0% Photobiological safety class: EXEMPT GROUP LED source efficiency: 168 lm/W @ 525mA, Tj=85°C, 4000K
Insulation class	II, I
Protection degree	IP66 IK08 total
Dimensions	See the drawing
Weight	max 9.2kg
Exposed surface	Side: 0.03m ² – Top: 0.26m ²
Mounting	TP: Post-top mounting Ø60-70-76-102mm BR-C: short bracket version on poles Ø102-114-127mm BR-L: long bracket version L.1mt on poles Ø102mm PR: mounting on rectangular / square pole.
LED Modules	Removable / Replaceable
Gear tray	Removable plate.
Operating temp.	-40°C / +50°C
Storage temperature	-40°C / +80°C
Main reference standards	EN 60598-1, EN 60598-2-3, EN 62471, EN 55015, EN 61547, EN 61000-3-2, EN 61000-3-3
ELECTRICAL CHARACTERISTICS	
Rated voltage	220÷240V 50/60Hz (Standard tolerance +/-10%, other voltages and tolerances upon request)
Power factor	>0,95 (at full load - F, DA, DAC)
On-load switch	Included, with integrated cable clamp.
Mains connection	For cables max section 4mm ²
Surge protection	Up to 10kV With SPD (optional) 10kV / 10kV CM/DM
SPD (optional)	10kV-10kA, type 2+3, with LED signal and thermo fuse to disconnect load at the end of life.
Control system (options)	F: Fixed power not dimmable. DA: Automatic dimming (virtual midnight) with default profile. DAC: Custom DA profile. FLC: Constant light flux. WL: Wireless single point communication system. DALL: Digital dimming interface DALL. NEMA: Socket 7 pin (ANSI C136.41). ZHAGA: Socket 4 pin (ZHAGA Book 18).
Optical unit lifetime (Tq=25°C, 700mA)	>100.000hr L90B10 >100.000hr L90, TM-21
MATERIALS	
Fixing	Die-cast aluminum UNI EN1706 powder painted.
Heat-sink	
Lower frame	
Upper canopy	
Closure hook	Extruded aluminum with stainless steel spring.
Optic	99.85% aluminium with a surface finish in 99.95% with vacuum-sealed deposition. Alluminum grade class A+ (DIN EN 16268)
Screen	Flat tempered glass, 4mm thickness high transparency.
Cable gland	Plastic M20x1.5 - IP68
Gasket	Polyurethane
Colour	Graphite - Cod. 01



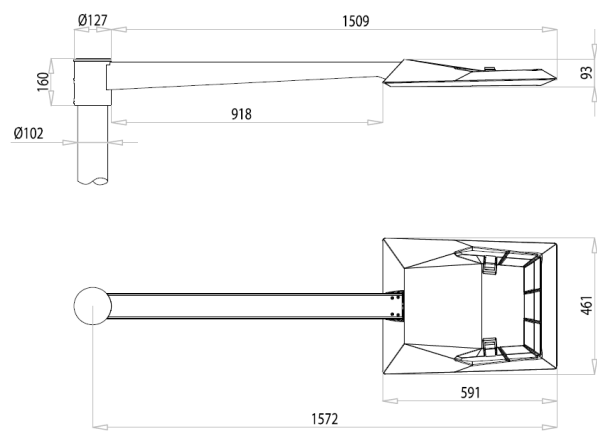
TP Version



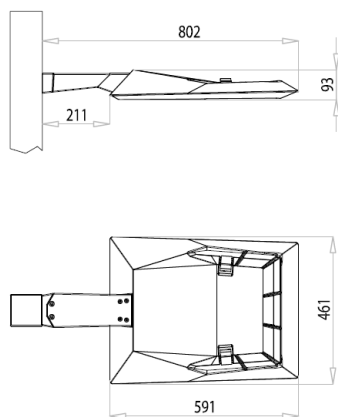
BR-C Version



BR-L Version



PR Version



LUMINAIRE	OPTIC	RATED LUMINAIRE FLUX* (Tq=25°C, 4000K, lm)	RATED LUMINAIRE POWER* (Tq=25°C, Vin=230Vac, F/DA/DAC, W)	LUMINAIRE EFFICACY (Tq=25°C, lm/W)	RATED LED FLUX* (Tj=85°C, 4000K, lm)	RATED LED POWER* (Tj=85°C, W)
MASTER 6 0F2H1 4.5-1M		1880	16	117	2184	13
MASTER 6 0F2H1 4.5-2M	STU-M	3690	30.5	120	4368	26
MASTER 6 0F2H1 4.5-3M		5530	44	125	6553	39
MASTER 6 0F2H1 4.5-4M	SV	7150	57	125	8737	52
MASTER 6 0F2H1 4.5-5M	SV2	9430	72	130	10921	65
MASTER 6 0F2H1 4.5-6M		11110	85	130	13106	78
MASTER 6 0F2H1 4.7-1M		2420	21.5	112	2765	17
MASTER 6 0F2H1 4.7-2M	STU-M	4720	40	118	5530	35
MASTER 6 0F2H1 4.7-3M	STU-S	7030	58	121	8295	53
MASTER 6 0F2H1 4.7-4M	SV	8990	76	118	11060	71
MASTER 6 0F2H1 4.7-5M	SV2	11890	95	125	13825	88
MASTER 6 0F2H1 4.7-6M		14070	114	123	16590	106
MASTER 6 0F2H1 4.5-1M		1880	16	117	2184	13
MASTER 6 0F2H1 4.5-2M	S05	3690	30.5	120	4368	26
MASTER 6 0F2H1 4.5-3M		5530	44	125	6553	39
MASTER 6 0F2H1 4.5-4M		7150	57	125	8737	52
MASTER 6 0F2H1 4.7-1M		2420	21.5	112	2765	17
MASTER 6 0F2H1 4.7-2M	S05	4720	40	118	5530	35
MASTER 6 0F2H1 4.7-3M		7030	58	121	8295	53
MASTER 6 0F2H1 4.7-4M		8990	76	118	11060	71
MASTER 6 0F3 4.5-1M		2610	21.5	121	2950	17
MASTER 6 0F3 4.5-2M	STE-M	5160	39	132	5901	34
MASTER 6 0F3 4.5-3M		7490	57	131	8851	52
MASTER 6 0F3 4.5-4M	STE-S	9950	76	130	11802	69
MASTER 6 0F3 4.5-5M	STW	12720	95	133	14753	87
MASTER 6 0F3 4.5-6M		15170	112	135	17703	104

LUMINAIRE	OPTIC	RATED LUMINAIRE FLUX* (Tq=25°C, 4000K, lm)	RATED LUMINAIRE POWER* (Tq=25°C, Vin=230Vac, F/DA/DAC, W)	LUMINAIRE EFFICACY (Tq=25°C, lm/W)	RATED LED FLUX* (Tj=85°C, 4000K, lm)	RATED LED POWER* (Tj=85°C, W)
MASTER 6 0F3 4.7-1M		3270	28	116	3735	23
MASTER 6 0F3 4.7-2M		6530	52	125	7470	47
MASTER 6 0F3 4.7-3M	STE-M STE-S STW	9420	76	123	11205	71
MASTER 6 0F3 4.7-4M		12550	102	123	14940	94
MASTER 6 0F3 4.7-5M		15950	127	125	18675	118
MASTER 6 0F3 4.7-6M		19040	150	126	22410	142
MASTER 6 0F2H1 4.5-2M		S	3690	30.5	120	4368
MASTER 6 0F2H1 4.5-4M	7150		57	125	8737	52
MASTER 6 0F2H1 4.7-2M	S	4720	40	118	5530	35
MASTER 6 0F2H1 4.7-4M		8990	76	118	11060	71
MASTER 6 0F6 4.5-1M	OP-DX	5160	39	132	5901	34
MASTER 6 0F6 4.5-2M	OP-SX	9950	76	130	11802	69
MASTER 6 0F6 4.7-1M	OP-DX	6530	52	125	7470	47
MASTER 6 0F6 4.7-2M	OP-SX	12550	102	123	14940	94
MASTER 6 0F6 4.5-1M	ASC-4W	5180	39	132	5901	34
MASTER 6 0F6 4.5-2M		9990	76	131	11802	69
MASTER 6 0F6 4.7-1M	ASC-4W	6560	52	126	7470	47
MASTER 6 0F6 4.7-2M		12600	102	123	14940	94
MASTER 6 0F6 4.5-1M	ASC-5W	5090	39	130	5901	34
MASTER 6 0F6 4.5-2M		9810	76	129	11802	69
MASTER 6 0F6 4.7-1M	ASC-5W	6440	52	123	7470	47
MASTER 6 0F6 4.7-2M		12370	102	121	14940	94
MASTER 6 0F6 4.5-1M	ASC-6W	5010	39	128	5901	34
MASTER 6 0F6 4.5-2M		9660	76	127	11802	69
MASTER 6 0F6 4.7-1M	ASC-6W	6340	52	121	7470	47
MASTER 6 0F6 4.7-2M		12190	102	119	14940	94



LUMINAIRE	OPTIC	RATED LUMINAIRE FLUX* (Tq=25°C, 4000K, lm)	RATED LUMINAIRE POWER* (Tq=25°C, Vin=230Vac, F/DA/DAC, W)	LUMINAIRE EFFICACY (Tq=25°C, lm/W)	RATED LED FLUX* (Tj=85°C, 4000K, lm)	RATED LED POWER* (Tj=85°C, W)
MASTER 6 0F6 4.5-1M	ASC-7W	4920	39	126	5901	34
MASTER 6 0F6 4.5-2M		9480	76	124	11802	69
MASTER 6 0F6 4.7-1M	ASC-7W	6220	52	119	7470	47
MASTER 6 0F6 4.7-2M		11960	102	117	14940	94

*RATED LUMINAIRE FLUX / RATED LUMINAIRE POWER: Rated data obtained in laboratory.

*RATED LED FLUX / RATED LED POWER: Rated data extrapolated from LED manufacturer datasheet.

Values indicated in this technical sheet are to be considered rated values. Flux tolerance: ±7%. Power tolerance: ±5%.

Power tolerance with ZHAGA version or power supply D4i/SR: ±10%.

The characteristics of the product listed above are subjected to change without notice.

LUMINAIRE	OPTIC	RATED LUMINAIRE FLUX* (Tq=25°C, 3000K, lm)	RATED LUMINAIRE POWER* (Tq=25°C, Vin=230Vac, F/DA/DAC, W)	LUMINAIRE EFFICACY (Tq=25°C, lm/W)	RATED LED FLUX* (Tj=85°C, 3000K, lm)	RATED LED POWER* (Tj=85°C, W)
MASTER 6 0F2H1 3.5-1M		1750	16	109	1990	13
MASTER 6 0F2H1 3.5-2M	STU-M	3430	30.5	112	3981	26
MASTER 6 0F2H1 3.5-3M		5140	44	116	5972	39
MASTER 6 0F2H1 3.5-4M	SV	6650	57	116	7963	52
MASTER 6 0F2H1 3.5-5M	SV2	8770	72	121	9954	65
MASTER 6 0F2H1 3.5-6M		10330	85	121	11944	78
MASTER 6 0F2H1 3.7-1M		2250	21.5	104	2520	17
MASTER 6 0F2H1 3.7-2M	STU-M	4390	40	109	5040	35
MASTER 6 0F2H1 3.7-3M	STU-S	6540	58	112	7560	53
MASTER 6 0F2H1 3.7-4M	SV	8360	76	110	10080	71
MASTER 6 0F2H1 3.7-5M	SV2	11060	95	116	12600	88
MASTER 6 0F2H1 3.7-6M		13090	114	114	15120	106
MASTER 6 0F2H1 3.5-1M		1750	16	109	1990	13
MASTER 6 0F2H1 3.5-2M	S05	3430	30.5	112	3981	26
MASTER 6 0F2H1 3.5-3M		5140	44	116	5972	39
MASTER 6 0F2H1 3.5-4M		6650	57	116	7963	52
MASTER 6 0F2H1 3.7-1M		2250	21.5	104	2520	17
MASTER 6 0F2H1 3.7-2M	S05	4390	40	109	5040	35
MASTER 6 0F2H1 3.7-3M		6540	58	112	7560	53
MASTER 6 0F2H1 3.7-4M		8360	76	110	10080	71
MASTER 6 0F3 3.5-1M		2430	21.5	113	2701	17
MASTER 6 0F3 3.5-2M	STE-M	4800	39	123	5403	34
MASTER 6 0F3 3.5-3M		6970	57	122	8105	52
MASTER 6 0F3 3.5-4M	STE-S	9250	76	121	10807	69
MASTER 6 0F3 3.5-5M	STW	11830	95	124	13509	87
MASTER 6 0F3 3.5-6M		14110	112	125	16210	104



LUMINAIRE	OPTIC	RATED LUMINAIRE FLUX* (Tq=25°C, 3000K, lm)	RATED LUMINAIRE POWER* (Tq=25°C, Vin=230Vac, F/DA/DAC, W)	LUMINAIRE EFFICACY (Tq=25°C, lm/W)	RATED LED FLUX* (Tj=85°C, 3000K, lm)	RATED LED POWER* (Tj=85°C, W)
MASTER 6 0F3 3.7-1M		3040	28	108	3420	23
MASTER 6 0F3 3.7-2M	STE-M STE-S STW	6070	52	116	6840	47
MASTER 6 0F3 3.7-3M		8760	76	115	10260	71
MASTER 6 0F3 3.7-4M		11670	102	114	13680	94
MASTER 6 0F3 3.7-5M		14830	127	116	17100	118
MASTER 6 0F3 3.7-6M		17710	150	118	20520	142
MASTER 6 0F2H1 3.5-2M		S	3430	30.5	112	3981
MASTER 6 0F2H1 3.5-4M	S	6650	57	116	7963	52
MASTER 6 0F2H1 3.7-2M		4390	40	109	5040	35
MASTER 6 0F2H1 3.7-4M		8360	76	110	10080	71
MASTER 6 0F6 3.5-1M	OP-DX	4800	39	123	5403	34
MASTER 6 0F6 3.5-2M	OP-SX	9250	76	121	10807	69
MASTER 6 0F6 3.7-1M	OP-DX	6070	52	116	6840	47
MASTER 6 0F6 3.7-2M		11670	102	114	13680	94
MASTER 6 0F6 3.5-1M	ASC-4W	4820	39	123	5403	34
MASTER 6 0F6 3.5-2M		9290	76	122	10807	69
MASTER 6 0F6 3.7-1M	ASC-4W	6090	52	117	6840	47
MASTER 6 0F6 3.7-2M		11720	102	114	13680	94
MASTER 6 0F6 3.5-1M	ASC-5W	4730	39	121	5403	34
MASTER 6 0F6 3.5-2M		9120	76	120	10807	69
MASTER 6 0F6 3.7-1M	ASC-5W	5980	52	115	6840	47
MASTER 6 0F6 3.7-2M		11500	102	112	13680	94
MASTER 6 0F6 3.5-1M	ASC-6W	4660	39	119	5403	34
MASTER 6 0F6 3.5-2M		8980	76	118	10807	69
MASTER 6 0F6 3.7-1M	ASC-6W	5900	52	113	6840	47
MASTER 6 0F6 3.7-2M		11340	102	111	13680	94



LUMINAIRE	OPTIC	RATED LUMINAIRE FLUX* (Tq=25°C, 3000K, lm)	RATED LUMINAIRE POWER* (Tq=25°C, Vin=230Vac, F/DA/DAC, W)	LUMINAIRE EFFICACY (Tq=25°C, lm/W)	RATED LED FLUX* (Tj=85°C, 3000K, lm)	RATED LED POWER* (Tj=85°C, W)
MASTER 6 0F6 3.5-1M	ASC-7W	4570	39	117	5403	34
MASTER 6 0F6 3.5-2M		8810	76	115	10807	69
MASTER 6 0F6 3.7-1M	ASC-7W	5780	52	111	6840	47
MASTER 6 0F6 3.7-2M		11120	102	109	13680	94

*RATED LUMINAIRE FLUX / RATED LUMINAIRE POWER: Rated data obtained in laboratory.

*RATED LED FLUX / RATED LED POWER: Rated data extrapolated from LED manufacturer datasheet.

Values indicated in this technical sheet are to be considered rated values. Flux tolerance: ±7%. Power tolerance: ±5%.

Power tolerance with ZHAGA version or power supply D4i/SR: ±10%.

The characteristics of the product listed above are subjected to change without notice.