

GQ1

MAIN CHARACTERISTICS

Applications	Indoor lighting
Optic	HB-M: Symmetrical optic, specific for indoor lighting (medium emission). HB-W: Symmetrical optic, specific for indoor lighting (wide emission). HB-E: Symmetrical optic, specific for indoor lighting (elliptical emission). Colour temperature: 4000K (5700K, 3000K optional) CRI ≥ 80 Photobiological safety class: EXEMPT GROUP LED source efficiency: 188 lm/W @ 480mA, T _j =85°C, 4000K
Insulation class	I
Protection degree	IP66 IK08 total
Dimensions	See the drawing
Weight	7 kg
Mounting	Ceiling fixing. Wall fixing accessory. Suspended on cable. Suspended with chain. Enclosed duct fixing.
LED Modules	Removable optical unit.
Gear tray	Removable.
Operating temp.	-40°C / +50°C
Storage temperature	-40°C / +80°C
Main reference standards	EN 60598-1, EN 60598-2-1, EN 60598-2-24, EN 62471, EN 55015, EN 61547, EN 61000-3-2, EN 61000-3-3, EN 62493

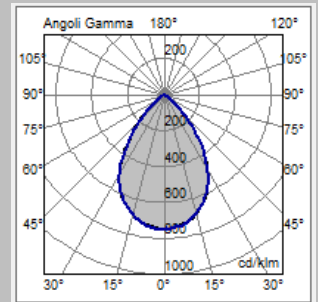


ELECTRICAL CHARACTERISTICS

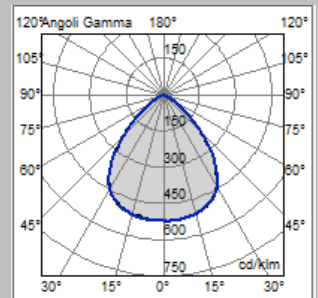
Rated voltage	220÷240V 50/60Hz
Power factor	>0,9 (at full load)
Mains connection	Branch wiring: H05VV-F 3/5x1 mm ²
Surge protection	Pulse withstand up to 4 kV
Control system (options)	F: Fixed power not dimmable. DALI: Digital dimming interface DALI. MS: Regulation with motion / luminance sensor.
Optical unit lifetime (T_q=25°C)	>100.000hr L80B50 >100.000hr L80 TM-21

MATERIALS

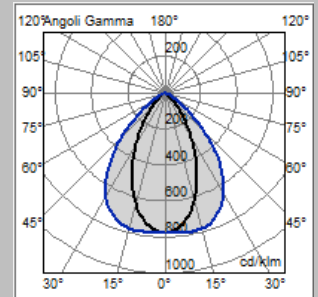
Fixing	Stainless steel.
Body	Die-cast aluminium UNI EN1706. Powder painted.
Canopy	
Optic	99.85% aluminium with a surface finish in 99.95% with vacuum-sealed deposition. Alluminum grade class A+ (DIN EN 16268)
Screen	Flat tempered glass, 4mm thickness.
Cable gland	Plastic M16x1.5 - IP68
Gasket	Polyurethane
Colour	White - Cod. 2D



HB-M Optic



HB-W Optic



HB-E Optic

All the published photometrical data has been obtained according to applicable international standards



4000K

LUMINAIRE	LED Current (mA)	OPTICS	RATED LUMINAIRE FLUX ¹ (Tq=25°C, 4000K, lm)	RATED LUMINAIRE POWER ¹ (Tq=25°C, Vin=230Vac, W)	LUMINAIRE EFFICACY (Tq=25°C, lm/W)	RATED LED FLUX ² (Tj=85°C, 4000K, lm)	RATED LED POWER ² (Tj=85°C, W)
GQ1 0V45 4.39-4M	390	HB-E HB-M HB-W	10450	70	149	12854	66
GQ1 0V45 4.48-4M	480		12800	87	147	15584	83
GQ1 0V45 4.39-6M	390	HB-E HB-M HB-W	15500	105	147	19281	99
GQ1 0V45 4.48-6M	480		18800	129	145	23377	124
GQ1 0V45 4.42-8M	420	HB-E HB-M HB-W	22200	152	146	27572	143
GQ1 0V45 4.48-8M	480		25150	174	144	31169	165
GQ1 0V45 4.54-8M	540		28000	195	143	35065	186

5700K

LUMINAIRE	LED Current (mA)	OPTICS	RATED LUMINAIRE FLUX ¹ (Tq=25°C, 5700K, lm)	RATED LUMINAIRE POWER ¹ (Tq=25°C, Vin=230Vac, W)	LUMINAIRE EFFICACY (Tq=25°C, lm/W)	RATED LED FLUX ² (Tj=85°C, 5700K, lm)	RATED LED POWER ² (Tj=85°C, W)
GQ1 0V45 6.39-4M	390	HB-E HB-M HB-W	10450	70	149	12854	66
GQ1 0V45 6.48-4M	480		12800	87	147	15584	83
GQ1 0V45 6.39-6M	390	HB-E HB-M HB-W	15500	105	147	19281	99
GQ1 0V45 6.48-6M	480		18800	129	145	23377	124
GQ1 0V45 6.42-8M	420	HB-E HB-M HB-W	22200	152	146	27572	143
GQ1 0V45 6.48-8M	480		25150	174	144	31169	165
GQ1 0V45 6.54-8M	540		28000	195	143	35065	186

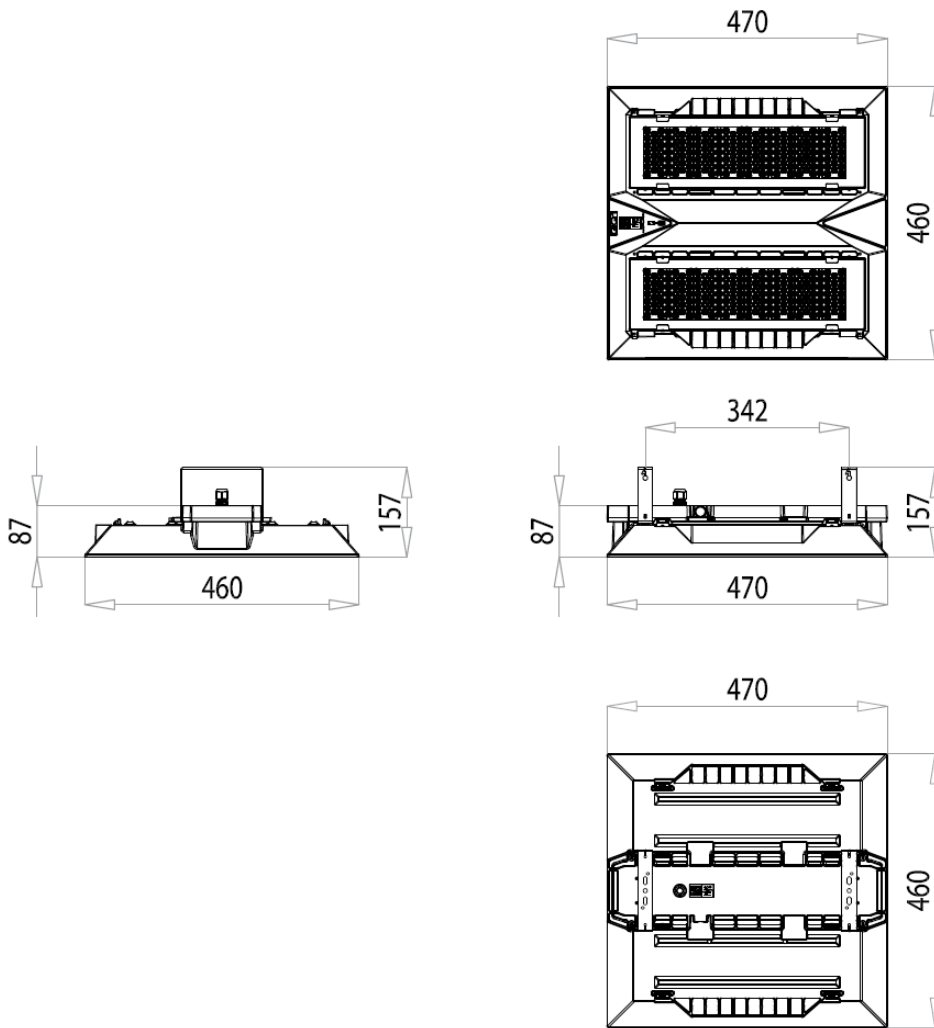
3000K

LUMINAIRE	LED Current (mA)	OPTICS	RATED LUMINAIRE FLUX ¹ (Tq=25°C, 3000K, lm)	RATED LUMINAIRE POWER ¹ (Tq=25°C, Vin=230Vac, W)	LUMINAIRE EFFICACY (Tq=25°C, lm/W)	RATED LED FLUX ² (Tj=85°C, 3000K, lm)	RATED LED POWER ² (Tj=85°C, W)
GQ1 0V45 3.39-4M	390	HB-E HB-M HB-W	9930	70	141	12211	66
GQ1 0V45 3.48-4M	480		12160	87	139	14805	83
GQ1 0V45 3.39-6M	390	HB-E HB-M HB-W	14730	105	140	18317	99
GQ1 0V45 3.48-6M	480		17860	129	138	22208	124
GQ1 0V45 3.42-8M	420	HB-E HB-M HB-W	21090	152	138	26193	143
GQ1 0V45 3.48-8M	480		23890	174	137	29611	165
GQ1 0V45 3.54-8M	540		26600	195	136	33312	186

Note: 1:Rated data obtained in laboratory | 2:Rated data extrapolated from LED manufacturer datasheet.
 Values indicated in this technical sheet are to be considered rated values. Flux tolerance: ±7%. Power tolerance: ±10%.
 The characteristics of the product listed above are subjected to change without notice.



DIMENSIONAL DRAWINGS



FIXING DETAIL

