

GA15

GA15

MAIN CHARACTERISTICS

Applications	Indoor lighting
Optic	LB-M: Symmetrical optic, specific for indoor lighting (medium emission). LB-L: Symmetrical optic, specific for indoor lighting (lambertian emission). LB-AS2: Asymmetrical optic, specific for indoor lighting. Colour temperature: 4000K (6500K optional) CRI ≥ 80 Photobiological safety class: EXEMPT GROUP
Insulation class	I
Protection degree	IP66
Dimensions	See the drawing
Weight	max. 6 kg
Mounting	Universal fixing for ceiling, wall, suspension.
Operating temp	-20°C ÷ +35°C
Main reference standards	EN 60598-1, EN 60598-2-1, EN 60598-2-24, EN 62471, EN 55015, EN 61547, EN 61000-3-2, EN 61000-3-3, EN 62493

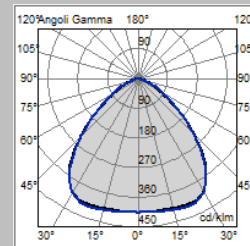


ELECTRICAL CHARACTERISTICS

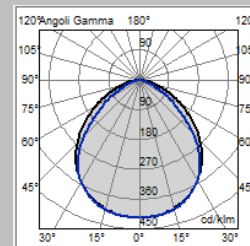
Rated voltage	220÷240V 50/60Hz (Standard tolerance +/-10%, other voltages and tolerances upon request)
Power factor	>0,9 (at full load)
Mains connection	Branch wiring: Cable H05VV-F 3/5p x 1mm ² . Optional: connector M/F IP66/68 for cables max. 2,5mm ² , Ø max. 12mm
Control system (options)	F: Fixed power not dimmerable. DALI: Digital dimming interface DALI.
Optical unit lifetime (Tq=25°C)	>100.000hr L80B50 >100.000hr L80, TM-21

MATERIALS

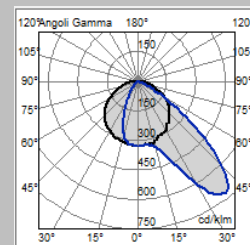
Fixing	Stainless steel.
Body	Extruded aluminum. Powder painted.
Optic	99.85% aluminum with a surface finish in 99.95% with vacuum-sealed deposition. Aluminum grade class A+ (DIN EN 16268)
Screen	PMMA
Cable gland	Plastic M20x1.5 - IP68
Gasket	Polyurethane
Colour	White – RAL 9003



LB-M Optic



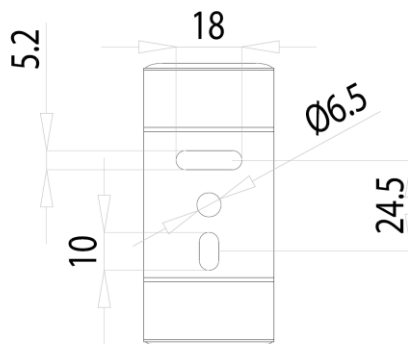
LB-L Optic



LB-AS2 Optic

All the published photometrical data has been obtained according to applicable international standards

FIXING DETAIL



4000K

LUMINAIRE	OPTIC	RATED LUMINAIRE FLUX (Tq=25°C, 4000K, lm)	RATED LUMINAIRE POWER (Tq=25°C, Vin=230Vac, W)	LUMINAIRE EFFICACY (Tq=25°C, lm/W)
GA15 0Q42 LB-L 840-6000	LB-L	6950	50.5	137
GA15 0Q42 LB-L 840-7000		8240	62	132
GA15 0Q42 LB-M 840-6000	LB-M	7320	50.5	144
GA15 0Q42 LB-M 840-7000		8700	62	140
GA15 0Q42 LB-AS2 840-6000	LB-AS2	7320	50.5	144
GA15 0Q42 LB-AS2 840-7000		8700	62	140

6500K

LUMINAIRE	OPTIC	RATED LUMINAIRE FLUX (Tq=25°C, 6500K, lm)	RATED LUMINAIRE POWER (Tq=25°C, Vin=230Vac, W)	LUMINAIRE EFFICACY (Tq=25°C, lm/W)
GA15 0Q42 LB-L 840-6000	LB-L	6950	50.5	137
GA15 0Q42 LB-L 840-7000		8240	62	132
GA15 0Q42 LB-M 840-6000	LB-M	7320	50.5	144
GA15 0Q42 LB-M 840-7000		8700	62	140
GA15 0Q42 LB-AS2 840-6000	LB-AS2	7320	50.5	144
GA15 0Q42 LB-AS2 840-7000		8700	62	140

Values indicated in this technical sheet are to be considered rated values. Flux tolerance: ±7%. Power tolerance: ±10%.
The characteristics of the product listed above are subjected to change without notice.

