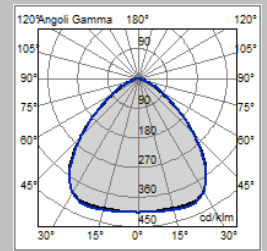
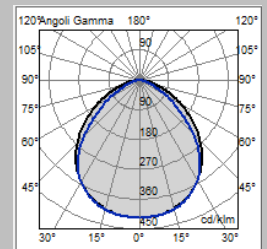


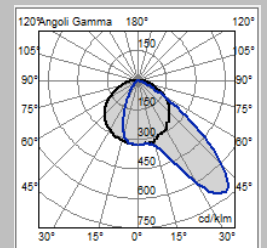
GA12	
MAIN CHARACTERISTICS	
Applications	Indoor lighting
Optic	LB-M: Symmetrical optic, specific for indoor lighting (medium emission). LB-L: Symmetrical optic, specific for indoor lighting (lambertian emission). LB-AS2: Asymmetrical optic, specific for indoor lighting. Colour temperature: 4000K (6500K optional) CRI ≥ 80 Photobiological safety class: EXEMPT GROUP
Insulation class	I
Protection degree	IP66
Dimensions	See the drawing
Weight	max. 4.5 kg
Mounting	Universal fixing for ceiling, wall, suspension.
Operating temp.	-20°C ÷ +35°C
Main reference standards	EN 60598-1, EN 60598-2-1, EN 60598-2-24, EN 62471, EN 55015, EN 61547, EN 61000-3-2, EN 61000-3-3, EN 62493
ELECTRICAL CHARACTERISTICS	
Rated voltage	220÷240V 50/60Hz <i>(Standard tolerance +/-10%, other voltages and tolerances upon request)</i>
Power factor	>0,9 (at full load)
Mains connection	Branch wiring: Cable H05VV-F 3/5p x 1mm ² . Optional: connector M/F IP66/68 for cables max. 2,5mm ² , Ø max. 12mm
Control system (options)	F: Fixed power not dimmerable. DALI: Digital dimming interface DALI.
Optical unit lifetime (Tq=25°C)	>100.000hr L80B50 >100.000hr L80, TM-21
MATERIALS	
Fixing	Stainless steel.
Body	Extruded aluminium painted.
Optic	99.85% aluminium with a surface finish in 99.95% with vacuum-sealed deposition. Alluminum grade class A+ (DIN EN 16268)
Screen	PMMA
Cable gland	Plastic M20x1.5 - IP68
Gasket	Polyurethane
Colour	White – RAL 9003



LB-M Optic



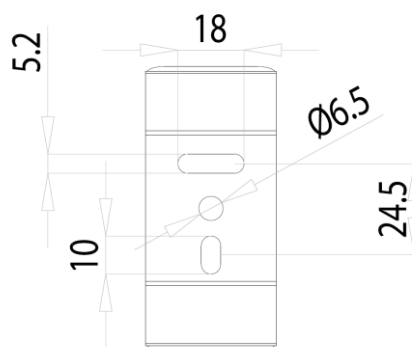
LB-L Optic



LB-AS2 Optic

All the published photometrical data has been obtained according to applicable international standards

FIXING DETAIL



4000K

LUMINAIRE	OPTIC	RATED LUMINAIRE FLUX (Tq=25°C, 4000K, lm)	RATED LUMINAIRE POWER (Tq=25°C, Vin=230Vac, W)	LUMINAIRE EFFICACY (Tq=25°C, lm/W)
GA12 0Q28 LB-L 840-3500	LB-L	4090	32	127
GA12 0Q42 LB-L 840-4500		5210	38	137
GA12 0Q42 LB-L 840-5500		6180	46.5	132
GA12 0Q28 LB-M 840-3500	LB-M	4380	32	136
GA12 0Q42 LB-M 840-4500		5490	38	144
GA12 0Q42 LB-M 840-5500		6520	46.5	140
GA12 0Q28 LB-AS2 840-3500	LB-AS2	4380	32	136
GA12 0Q42 LB-AS2 840-4500		5490	38	144
GA12 0Q42 LB-AS2 840-5500		6520	46.5	140

6500K

LUMINAIRE	OPTIC	RATED LUMINAIRE FLUX (Tq=25°C, 6500K, lm)	RATED LUMINAIRE POWER (Tq=25°C, Vin=230Vac, W)	LUMINAIRE EFFICACY (Tq=25°C, lm/W)
GA12 0Q28 LB-L 865-3500	LB-L	4090	32	127
GA12 0Q42 LB-L 865-4500		5210	38	137
GA12 0Q42 LB-L 865-5500		6180	46.5	132
GA12 0Q28 LB-M 865-3500	LB-M	4380	32	136
GA12 0Q42 LB-M 865-4500		5490	38	144
GA12 0Q42 LB-M 865-5500		6520	46.5	140
GA12 0Q28 LB-AS2 865-3500	LB-AS2	4380	32	136
GA12 0Q42 LB-AS2 865-4500		5490	38	144
GA12 0Q42 LB-AS2 865-5500		6520	46.5	140

Values indicated in this technical sheet are to be considered rated values. Flux tolerance: $\pm 7\%$. Power tolerance: $\pm 10\%$.
The characteristics of the product listed above are subjected to change without notice.