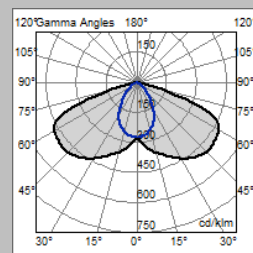


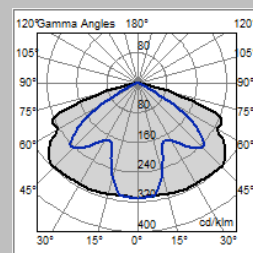
ARYA S

MAIN CHARACTERISTICS

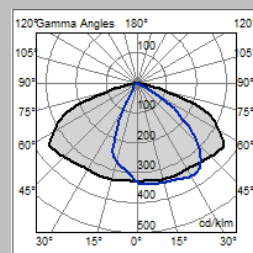
Applications	Street and urban lighting.
Optic	<p>HC-S: Hyper Comfort symmetric optic for urban lighting and green areas. HC-ST: Hyper Comfort asymmetrical optic for urban lighting and green areas. STU-S: Asymmetrical optic for street, urban and cycle-path lighting (narrow emission). STU-M: Asymmetrical optic for street, urban and cycle-path lighting (medium emission). STU-W: Asymmetrical optic for wide urban and suburban road lighting. S03: Asymmetrical optic for wide urban and suburban road lighting. S: Symmetric optic for urban lighting and green areas. STA: Asymmetrical optic for long interdistance and wide roads. Colour temperature: 4000K (3000K optional) CRI ≥ 70 LOR= 100%, DLOR= 100%, ULOR= 0% Photobiological safety class: EXEMPT GROUP LED source efficiency: 174 lm/W @ 400mA, Tj=85°C, 4000K</p>
Insulation class	II, I
Protection degree	IP66 IK08 total
Dimensions	See the drawing
Weight	max 7 kg
Exposed surface	Side: 0.03m ² – Top: 0.17m ²
Mounting	Suspension with dedicated fixing for MPA and MZA brackets
LED Modules	Removable / Replaceable
Gear tray	Removable / Replaceable
Operating temp.	-40°C / +50°C
Storage temperature	-40°C / +80°C
Main reference standards	EN 60598-1, EN 60598-2-3, EN 62471, EN 55015, EN 61547, EN 61000-3-2, EN 61000-3-3
ELECTRICAL CHARACTERISTICS	
Rated voltage	220÷240V 50/60Hz
Power factor	>0,9 (at full load, F, DA, DAC)
Mains connection	Cable H07RN-F nx1mm ² Optional: connector M/F IP66/68 for cables max. 2,5mm ² , Ø max. 12mm
Surge protection	Up to 10kV With SPD (optional) 10kV / 10kV CM/DM
SPD (optional)	10kV-10kA, type 2+3, with LED signal and thermo fuse to disconnect load at the end of life
Control system (options)	<p>F: Fixed power not dimmable. DA: Automatic dimming (virtual midnight) with default profile. DAC: Custom DA profile. FLC: Constant light flux. DALI: Digital dimming interface DALI. ZHAGA: Socket 4 pin (ZHAGA Book 18). TELEMANAGEMENT: Wireless single point communication system available with Zhaga option (external node WL-ZHAGA is necessary).</p>
LED source lifetime (Tq=25°C, 500mA)	<p>>100.000hr L90B10 >100.000hr L90, TM21</p>
MATERIALS	
Fixing	Turned aluminium with stainless steel screws.
Body	Die-cast aluminium UNI EN1706 powder painted.
Optic	99.85% aluminium with a surface finish in 99.95% with vacuum-sealed deposition. Aluminum grade class A+ (DIN EN 16268)
Screen	Flat tempered glass, 5mm thickness, high transparency.
Cable gland	Plastic M20x1.5 - IP68
Gasket	Polyurethane
Colour	Graphite - Cod. 01



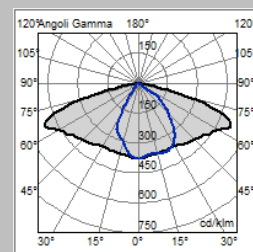
HC-S Optic



S Optic



STU-W Optic



STU-S Optic

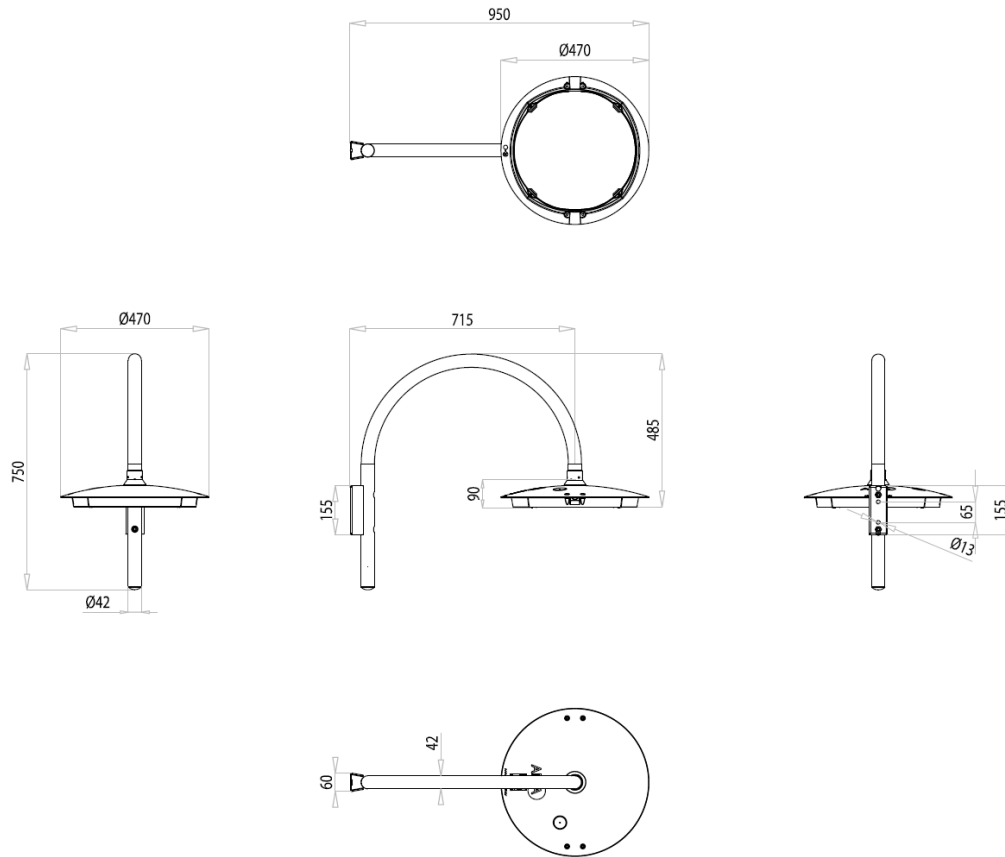
All the published photometrical data has been obtained according to applicable international standards



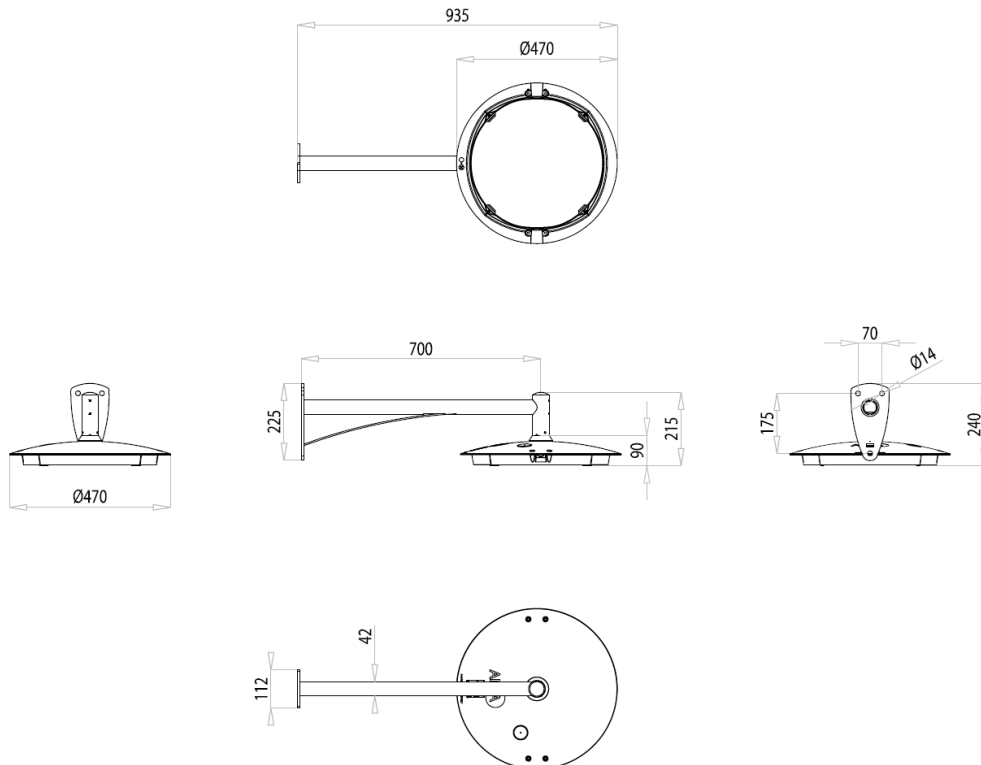


DIMENSIONAL DRAWINGS

ARYA S with bracket MPA



ARYA S with bracket MZA





LUMINAIRE	OPTIC	LED CURRENT (mA)	RATED LUMINAIRE FLUX* (Tq=25°C, 4000K, lm)	RATED LUMINAIRE POWER* (Tq=25°C, Vin=230Vac, F/DA/DAC, W)	LUMINAIRE EFFICACY (Tq=25°C, lm/W)	RATED LED FLUX* (Tj=85°C, 4000K, lm)	RATED LED POWER* (Tj=85°C, W)
ARYA S 2Z8 4.40-1M	STU-M	400	2650	21.5	123	3175	18
ARYA S 2Z8 4.40-2M	STU-S		5340	40.5	131	6351	36
ARYA S 2Z8 4.40-2M	STU-W		5340	40.5	131	6351	36
ARYA S 2Z8 4.50-1M	STU-M	500	3200	27	118	3896	23
ARYA S 2Z8 4.50-2M	STU-S		6510	51.5	126	7792	46
ARYA S 2Z8 4.50-2M	STU-W		6510	51.5	126	7792	46
ARYA S 2Z8 4.40-1M	S03	400	2550	21.5	118	3175	18
ARYA S 2Z8 4.40-2M			5130	40.5	126	6351	36
ARYA S 2Z8 4.50-1M	S03	500	3080	27	114	3896	23
ARYA S 2Z8 4.50-2M			6260	51.5	121	7792	46
ARYA S 2Z8 4.40-2M	S	400	5130	40.5	126	6351	36
ARYA S 2Z8 4.50-2M	S	500	6260	51.5	121	7792	46
ARYA S 2Z6 4.40-1M	STA	400	1880	17	110	2382	13
ARYA S 2Z6 4.40-2M			3750	31.5	119	4763	27
ARYA S 2Z6 4.50-1M	STA	500	2300	21.5	106	2922	17
ARYA S 2Z6 4.50-2M			4570	40	114	5844	34
ARYA S 2Z8 4.25-1M VEX	HC-ST	250	1570	13.5	116	2049	11
ARYA S 2Z8 4.25-2M VEX			3220	25	128	4097	22
ARYA S 2Z8 4.35-1M VEX	HC-ST	350	2170	18.5	117	2806	16
ARYA S 2Z8 4.35-2M VEX			4340	35	124	5612	31
ARYA S 2Z8 4.25-2M VEX	HC-S	250	3220	25	128	4097	22
ARYA S 2Z8 4.25-4M VEX			6410	47.5	134	8195	44
ARYA S 2Z8 4.35-2M VEX	HC-S	350	4340	35	124	5612	31
ARYA S 2Z8 4.35-4M VEX**			8640	68	127	11224	62

*RATED LUMINAIRE FLUX / RATED LUMINAIRE POWER: Rated data obtained in laboratory.

*RATED LED FLUX / RATED LED POWER: Rated data extrapolated from LED manufacturer datasheet.

Values indicated in this technical sheet are to be considered rated values. Flux tolerance: $\pm 7\%$. Power tolerance: $\pm 5\%$. Power tolerance with ZHAGA version or power supply D4i/SR: $\pm 10\%$.

**Operating temperature: -40°C / $+40^{\circ}\text{C}$

The characteristics of the product listed above are subjected to change without notice.



LUMINAIRE	OPTIC	LED CURRENT (mA)	RATED LUMINAIRE FLUX* (Tq=25°C, 3000K, lm)	RATED LUMINAIRE POWER* (Tq=25°C, Vin=230Vac, F/DA/DAC, W)	LUMINAIRE EFFICACY (Tq=25°C, lm/W)	RATED LED FLUX* (Tj=85°C, 3000K, lm)	RATED LED POWER* (Tj=85°C, W)
ARYA S 2Z8 3.40-1M	STU-M	400	2600	21.5	120	3112	18
ARYA S 2Z8 3.40-2M	STU-S		5230	40.5	129	6224	36
ARYA S 2Z8 3.40-2M	STU-W		5230	40.5	129	6224	36
ARYA S 2Z8 3.50-1M	STU-M	500	3140	27	116	3818	23
ARYA S 2Z8 3.50-2M	STU-S		6380	51.5	123	7636	46
ARYA S 2Z8 3.50-2M	STU-W		6380	51.5	123	7636	46
ARYA S 2Z8 3.40-1M	S03	400	2500	21.5	116	3112	18
ARYA S 2Z8 3.40-2M			5030	40.5	124	6224	36
ARYA S 2Z8 3.50-1M	S03	500	3020	27	111	3818	23
ARYA S 2Z8 3.50-2M			6140	51.5	119	7636	46
ARYA S 2Z8 3.40-2M	S	400	5030	40.5	124	6224	36
ARYA S 2Z8 3.50-2M	S	500	6140	51.5	119	7636	46
ARYA S 2Z6 3.40-1M	STA	400	1840	17	108	2334	13
ARYA S 2Z6 3.40-2M			3670	31.5	116	4668	27
ARYA S 2Z6 3.50-1M	STA	500	2250	21.5	104	2864	17
ARYA S 2Z6 3.50-2M			4470	40	111	5727	34
ARYA S 2Z8 3.25-1M VEX	HC-ST	250	1540	13.5	114	2008	11
ARYA S 2Z8 3.25-2M VEX			3160	25	126	4016	22
ARYA S 2Z8 3.35-1M VEX	HC-ST	350	2130	18.5	115	2750	16
ARYA S 2Z8 3.35-2M VEX			4250	35	121	5500	31
ARYA S 2Z8 3.25-2M VEX	HC-S	250	3160	25	126	4016	22
ARYA S 2Z8 3.25-4M VEX			6280	47.5	132	8031	44
ARYA S 2Z8 3.35-2M VEX	HC-S	350	4250	35	121	5500	31
ARYA S 2Z8 3.35-4M VEX**			8470	68	124	10999	62

*RATED LUMINAIRE FLUX / RATED LUMINAIRE POWER: Rated data obtained in laboratory.

*RATED LED FLUX / RATED LED POWER: Rated data extrapolated from LED manufacturer datasheet.

Values indicated in this technical sheet are to be considered rated values. Flux tolerance: $\pm 7\%$. Power tolerance: $\pm 5\%$. Power tolerance with ZHAGA version or power supply D4i/SR: $\pm 10\%$.

**Operating temperature: -40°C / $+40^{\circ}\text{C}$

The characteristics of the product listed above are subjected to change without notice.